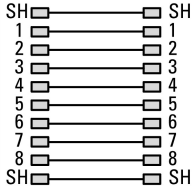




### Front element, +bulkhead interface RJ45

**Part no.** M22-RJ45-SA  
**Catalog No.** 107413  
**Eaton Catalog No.** M22-RJ45-SAQ  
**EL-Nummer (Norway)** 4355601

## Delivery program

Product range		Accessories
Accessories		General accessories
Part group reference (e.g. DIL)		M22
Basic function accessories		Bulkhead interface, RJ45 socket
Single unit/Complete unit		Single unit
Degree of Protection		RJ45 socket, 8/8, cat. 5e IP65 (with closed cover) IP20 (with plug connected)
Front ring		Bezel: titanium
Connection to SmartWire-DT		no
For use with		Front mounting
Terminal diagram / contact assignment		

## Technical data

### Technical data

Nominal voltage	$U_L$	AC 24 V
Voltage range		AC 50 V
Rated current		mA 1500
Number of poles		8 pole
Class / category		5
Contact type art		1 : 1
Screen earth kit		yes

### General

Design		RJ45
Insulation resistance	$R_{iso}$	$M\Omega$ > $\frac{1}{100}$ 100
Volume resistance		< 30 $m\Omega$
Contact material		CuSn, gold-plated
Mounting		Front panel cutout d = 22.5 mm
Mounting depth:		mm ca. 70 (incl. Krümmung)
Ambient temperature		-25 - +70
Storage		°C - 25 - + 80
Lifespan, mechanical	Operations	< 750 insertion cycles
Weight		kg/piece 0.02

## Design verification as per IEC/EN 61439

Technical data for design verification			
Heat dissipation capacity	$P_{diss}$	W	0

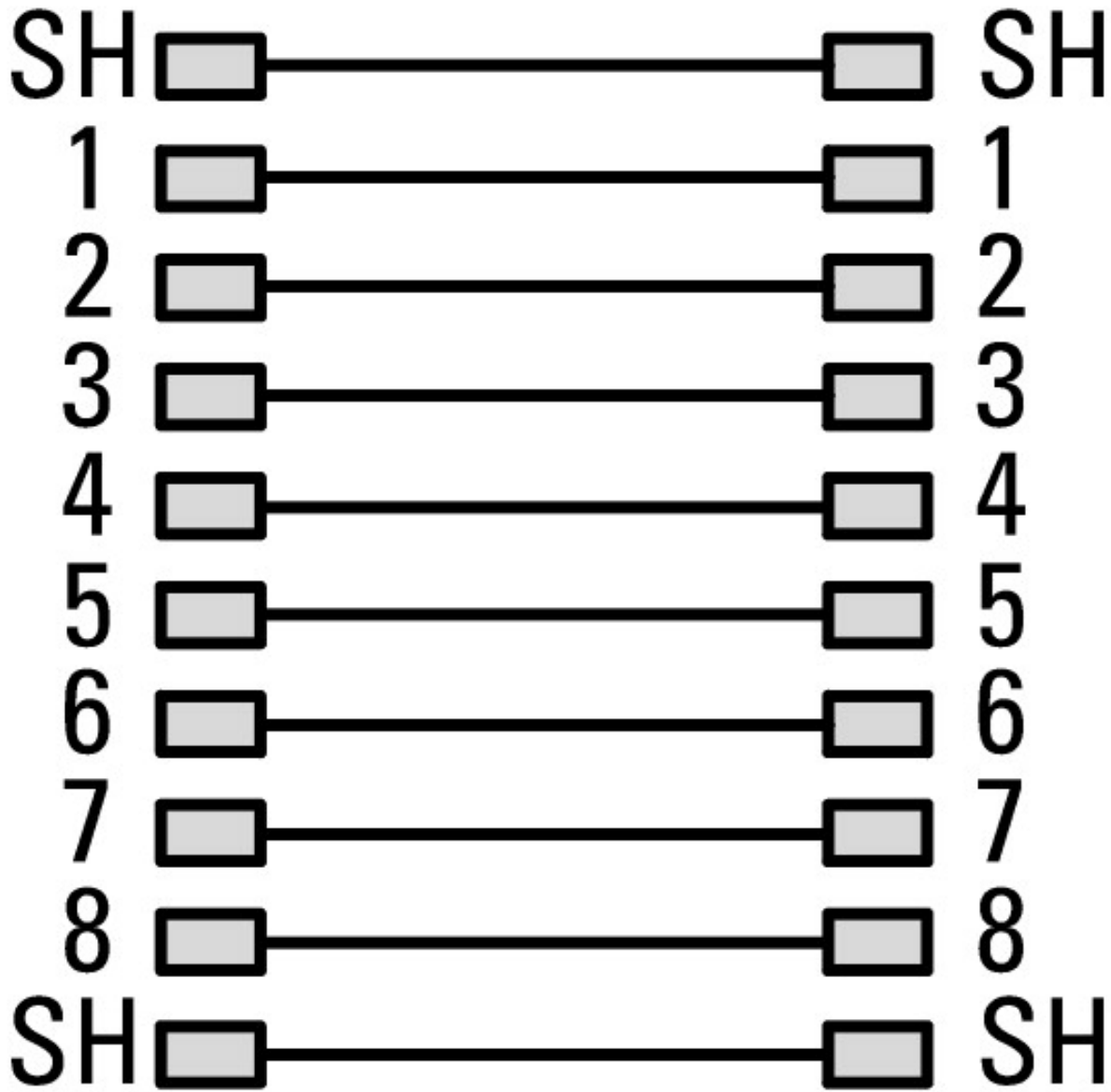
Operating ambient temperature min.	°C	-25
Operating ambient temperature max.	°C	70
IEC/EN 61439 design verification		
10.2 Strength of materials and parts		
10.2.2 Corrosion resistance		Meets the product standard's requirements.
10.2.3.1 Verification of thermal stability of enclosures		Meets the product standard's requirements.
10.2.3.2 Verification of resistance of insulating materials to normal heat		Meets the product standard's requirements.
10.2.3.3 Verification of resistance of insulating materials to abnormal heat and fire due to internal electric effects		Meets the product standard's requirements.
10.2.4 Resistance to ultra-violet (UV) radiation		Please enquire
10.2.5 Lifting		Does not apply, since the entire switchgear needs to be evaluated.
10.2.6 Mechanical impact		Does not apply, since the entire switchgear needs to be evaluated.
10.2.7 Inscriptions		Meets the product standard's requirements.
10.3 Degree of protection of ASSEMBLIES		Does not apply, since the entire switchgear needs to be evaluated.
10.4 Clearances and creepage distances		Meets the product standard's requirements.
10.5 Protection against electric shock		Does not apply, since the entire switchgear needs to be evaluated.
10.6 Incorporation of switching devices and components		Does not apply, since the entire switchgear needs to be evaluated.
10.7 Internal electrical circuits and connections		Is the panel builder's responsibility.
10.8 Connections for external conductors		Is the panel builder's responsibility.
10.9 Insulation properties		
10.9.2 Power-frequency electric strength		Is the panel builder's responsibility.
10.9.3 Impulse withstand voltage		Is the panel builder's responsibility.
10.9.4 Testing of enclosures made of insulating material		Is the panel builder's responsibility.
10.10 Temperature rise		The panel builder is responsible for the temperature rise calculation. Eaton will provide heat dissipation data for the devices.
10.11 Short-circuit rating		Is the panel builder's responsibility. The specifications for the switchgear must be observed.
10.12 Electromagnetic compatibility		Is the panel builder's responsibility. The specifications for the switchgear must be observed.
10.13 Mechanical function		The device meets the requirements, provided the information in the instruction leaflet (IL) is observed.

## Technical data ETIM 6.0

Low-voltage industrial components (EG000017) / Accessories for control circuit devices (EC002024)		
Electric engineering, automation, process control engineering / Low-voltage switch technology / Low-voltage switch technology (accessories) / Control circuit devices (accessories) (ec1@ss8.1-27-37-92-16 [AC0043008])		
Type of electrical accessory		-
Type of mechanical accessory		-

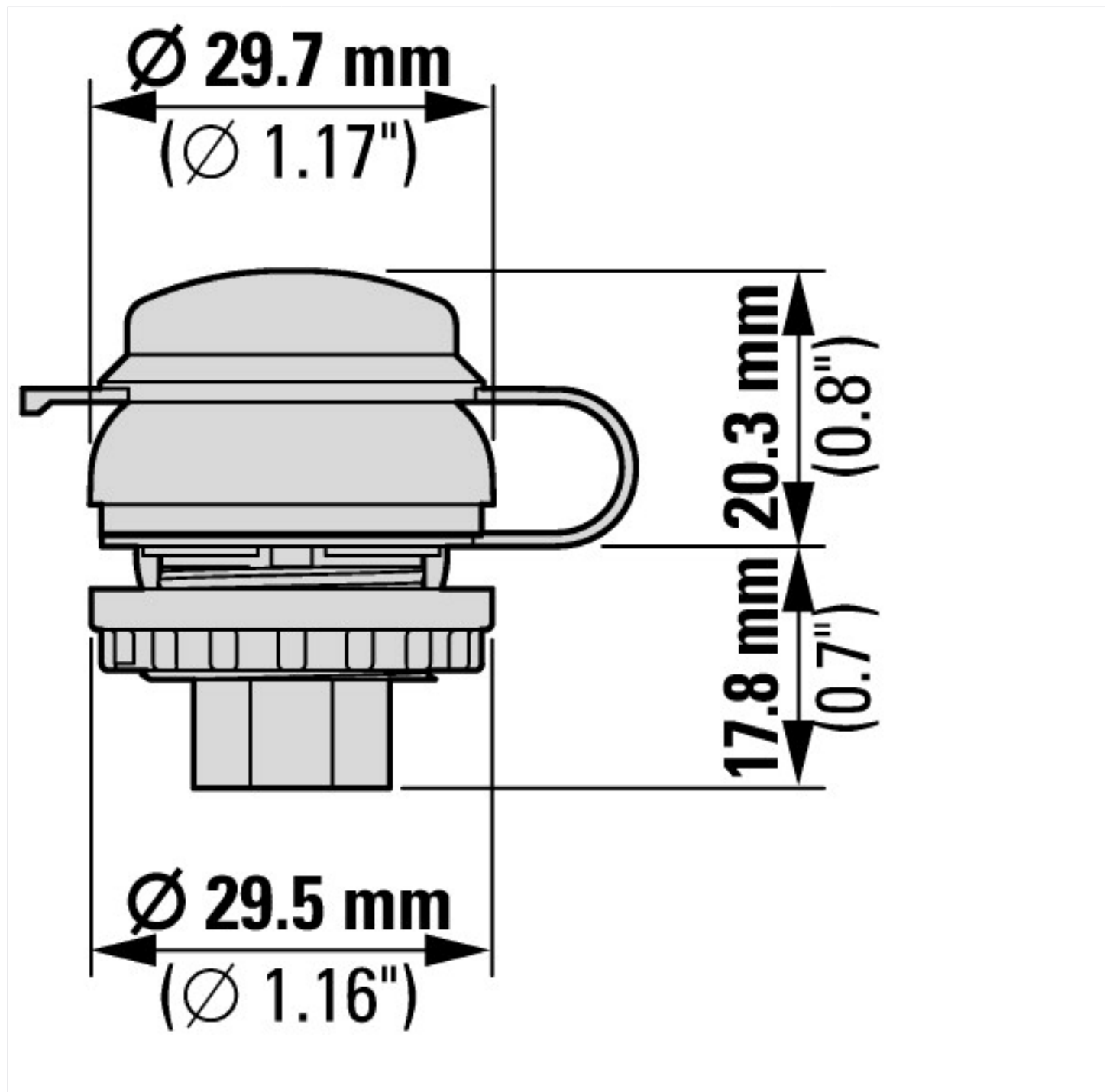
## Approvals

Product Standards		UL 508; CSA-C22.2 No. 142; IEC/EN 6113-2; CE marking
UL File No.		E330994
UL Category Control No.		DUXR, DUXR7
CSA File No.		UL report applies to both US and Canada
CSA Class No.		-
North America Certification		UL listed, certified by UL for use in Canada
Degree of Protection		IEC: IP65 and UL/CSA NEMA Type 12 when closed, IP20 when connected



SH: Schirmung

## Dimensions



## Additional product information (links)

IL0471600ZZ (AWA1160-1745) RMQ-Titan System

IL0471600ZZ (AWA1160-1745) RMQ-Titan System

[ftp://ftp.moeller.net/DOCUMENTATION/AWA\\_INSTRUCTIONS/IL0471600ZZ2017\\_01.pdf](ftp://ftp.moeller.net/DOCUMENTATION/AWA_INSTRUCTIONS/IL0471600ZZ2017_01.pdf)