



IKA professional distribution board, IP65 + clamps

Part no. IKA-1/8-ST
Catalog No. 174196
Eaton Catalog No. IKA-1/8-ST
EL-Nummer (Norway) 1702930

Delivery program

| | | | |
|--|--------------------------------------|-----------------|---|
| Basic function | | | Basic device |
| Product function | | | Installation distribution boards |
| Product range | | | IKA professional DBO |
| Design | | | Surface mounted |
| Installation site | | | Indoor |
| Type of installation | | | Surface mounting |
| Door/Flap | | | Transparent |
| Degree of Protection | | | IP65 |
| Colour | | | Grey |
| Module rack | | | Single-rail |
| Shroud for protection against accidental contact | | | Plastic |
| Rows | Count | | 1 |
| Module units per row | | | 8 |
| Description | | | IP65 Protection Class II Plastic enclosure gray (RAL 7035) |
| Cable entries | | | Metric cable entries on top and bottom, back plate |
| PE and N terminals design | | | Screw terminals |
| PE and N terminals | Number x cross- sectional area | mm ² | PE: 4 x (2.5 - 6) + 4 x (4 - 10) + 1 x (16 - 35) N: 4 x (2.5 - 6) + 4 x (4 - 10) + 1 x (16 - 35) |
| Equipment supplied | | | Basic device Device support rails Neutral-/protective conductor terminal Locking screws can be sealed Sealing caps Current circuit designation |

Technical data

General

| | | | |
|---|----------------|------|---------------------------|
| Standards | | | EN 62208, IEC/EN 60670-24 |
| RoHS (in accordance with Directive 2002/95/EC of the European Parliament and Council) | | | conform |
| Ambient temperature | | °C | -25 - +40 |
| Degree of Protection | | | IP65 |
| Protection class | | | II (totally insulated) |
| Rated operational voltage | U _e | V AC | 415 |
| Rated frequency | f | Hz | 50 |

Material characteristics

| | | | |
|----------|--|--|-----------------|
| Material | | | ABS (plastic) |
| Colour | | | Gray (RAL 7035) |

Material properties

| | | | |
|-------------------|--|--|------|
| Mechanical | | | |
| Impact resistance | | | IK08 |

Design verification as per IEC/EN 61439

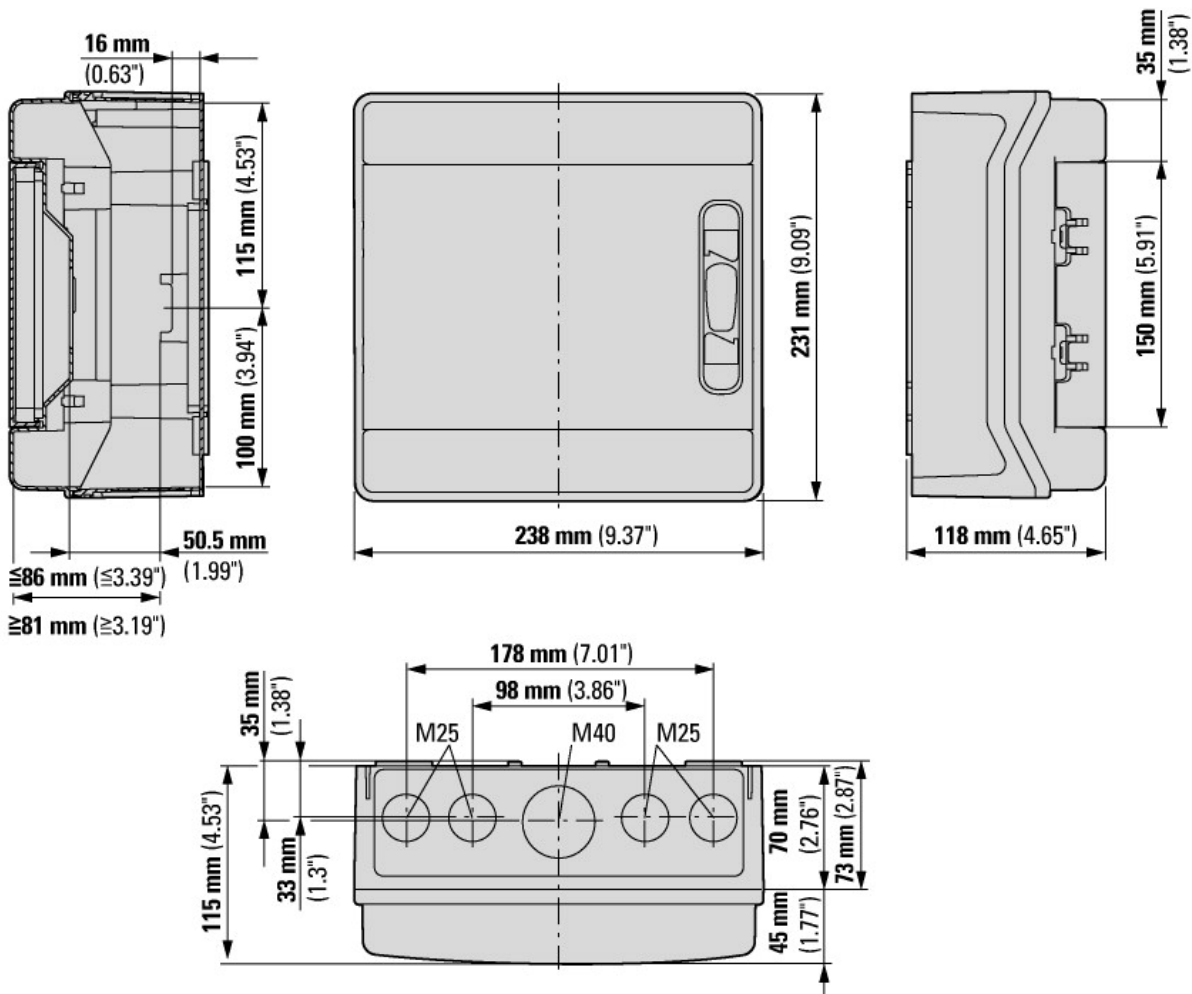
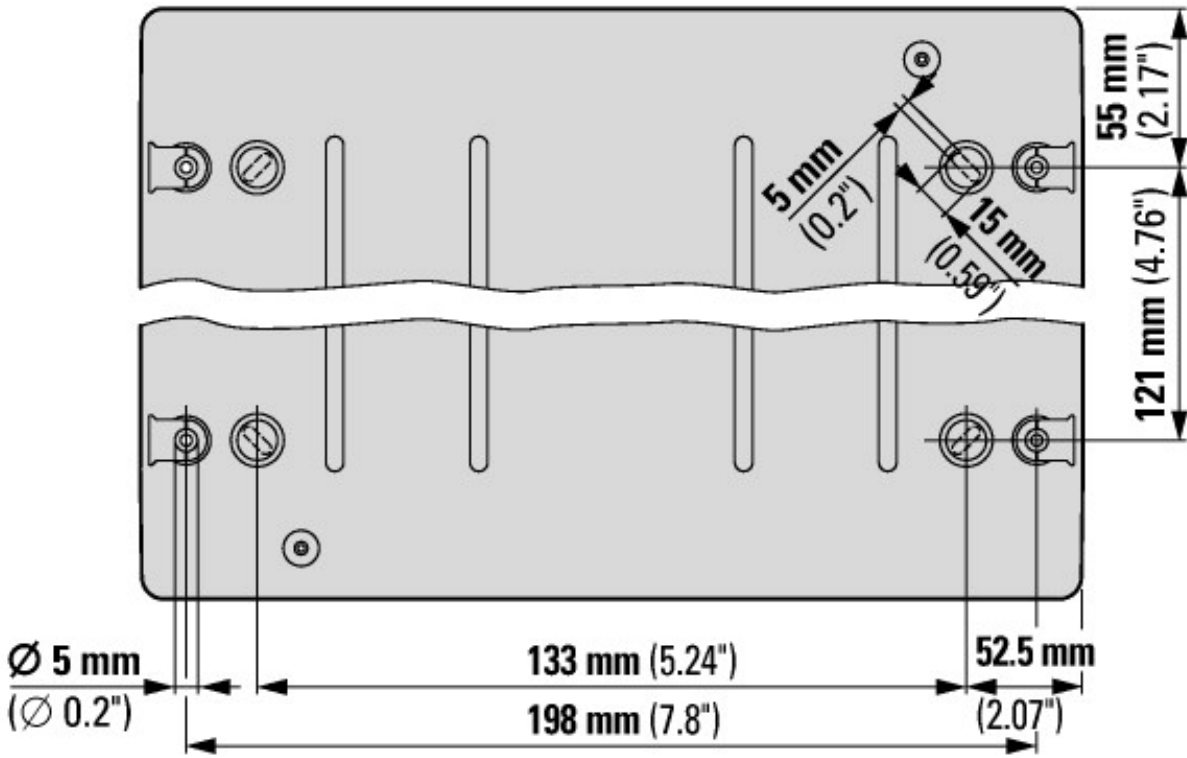
| | | | |
|---|----------------|----|----|
| Technical data for design verification | | | |
| Heat dissipation, at an ambient temperature of 35°C, delta T: 20 degrees, calculated as per IEC 60890 | | | |
| Individual enclosure for wall mounting | P _V | CO | 14 |
| Heat dissipation, at an ambient temperature of 35°C, delta T: 35 degrees, calculated as per IEC 60890 | | | |
| Individual enclosure for wall mounting | P _V | CO | 29 |

| | | |
|--|--|--|
| IEC/EN 61439 design verification | | |
| 10.2 Strength of materials and parts | | |
| 10.2.2 Corrosion resistance | | Meets the product standard's requirements. |
| 10.2.3.1 Verification of thermal stability of enclosures | | Meets the product standard's requirements. |
| 10.2.3.2 Verification of resistance of insulating materials to normal heat | | Meets the product standard's requirements. |
| 10.2.3.3 Verification of resistance of insulating materials to abnormal heat and fire due to internal electric effects | | 650 °C; meets the product standard's requirements. |
| 10.2.4 Resistance to ultra-violet (UV) radiation | | Not relevant to indoor installations. |
| 10.2.5 Lifting | | Does not apply to enclosures without lifting aids. |
| 10.2.6 Mechanical impact | | IK08 |
| 10.2.7 Inscriptions | | Meets the product standard's requirements. |
| 10.3 Degree of protection of ASSEMBLIES | | IP65 |
| 10.4 Clearances and creepage distances | | Is the panel builder's responsibility. |
| 10.5 Protection against electric shock | | Protection class 2, therefore not applicable. |
| 10.6 Incorporation of switching devices and components | | Is the panel builder's responsibility. |
| 10.7 Internal electrical circuits and connections | | Is the panel builder's responsibility. |
| 10.8 Connections for external conductors | | Is the panel builder's responsibility. |
| 10.9 Insulation properties | | |
| 10.9.2 Power-frequency electric strength | | $U_i = 1000 \text{ V AC}$ |
| 10.9.3 Impulse withstand voltage | | 3.3 kV |
| 10.9.4 Testing of enclosures made of insulating material | | Meets the product standard's requirements. |
| 10.10 Temperature rise | | The panel builder is responsible for the temperature rise calculation. Eaton will provide heat dissipation data for the devices. |
| 10.11 Short-circuit rating | | Is the panel builder's responsibility. |
| 10.12 Electromagnetic compatibility | | Is the panel builder's responsibility. |
| 10.13 Mechanical function | | Meets the product standard's requirements. |

Technical data ETIM 6.0

| | | |
|--|----|------------------|
| Distribution boards (EG000023) / Small distribution board (EC000214) | | |
| Electric engineering, automation, process control engineering / Electrical installation, device / Electrical distribution system (incl. small distribution board) / Small distribution board (ecl@ss8.1-27-14-24-09 [ACN387008]) | | |
| Mounting method | | Surface mounting |
| Number of rows | | 1 |
| Width in number of modular spacings | | 8 |
| Type of cover | | Door |
| Cover model | | With notch |
| Transparent cover/door | | Yes |
| Material housing | | Plastic |
| Height | mm | 231 |
| Width | mm | 238 |
| Depth | mm | 115 |
| Built-in depth | mm | 70 |
| Internal depth | mm | 60 |
| DIN-rail | | Yes |
| With mounting plate | | No |
| Extension possible | | Yes |
| EMC-version | | No |
| Colour | | Grey |
| RAL-number | | 7035 |
| Degree of protection (IP) | | IP65 |
| With lock | | No |

Dimensions



Additional product information (links)

IL014003Z IKA compact distribution board

IL014003Z IKA compact distribution board

Product overview (Web)

ftp://ftp.moeller.net/DOCUMENTATION/AWA_INSTRUCTIONS/IL014003ZU2015_03.pdf

<http://www.eaton.eu/DE/Europe/Electrical/ProductsServices/Residential/index.htm>

