



## Mini compact distribution board, 1-row 3 SU, IP20

**Part no.** MINI-3  
**Catalog No.** 177067  
**Eaton Catalog No.** MINI-3  
**EL-Nummer (Norway)** 1702972

### Delivery program

Basic function			Basic device
Product function			Installation distribution boards
Product range			MINI DBO
Design			Surface mounted
Installation site			Indoor
Type of installation			Surface mounting
Door/Flap			Without
Degree of Protection			IP20
Colour			White
Module rack			Single-rail
Shroud for protection against accidental contact			Plastic
Rows	Count		1
Module units per row			3
Description			IP20 Protection Class II Plastic housing white (RAL 9003)
Cable entries			Metric cable entries on top and bottom, side, back plate
PE and N terminals design			Without
Equipment supplied			Basic device

### Technical data

#### General

Standards			IEC/EN 62208
RoHS (in accordance with Directive 2002/95/EC of the European Parliament and Council)			conform
Ambient temperature		°C	-5 - +40
Degree of Protection			IP20
Protection class			II (totally insulated)
Rated operational voltage	U <sub>e</sub>	V AC	400
Rated frequency	f	Hz	50

#### Material characteristics

Material			ABS (plastic)
Colour			white (RAL 9003)

#### Material properties

Mechanical			
Impact resistance			IK05

### Design verification as per IEC/EN 61439

Technical data for design verification			
Heat dissipation, at an ambient temperature of 35°C, delta T: 20 degrees, calculated as per IEC 60890			
Individual enclosure for wall mounting	P <sub>V</sub>	CO	10
Heat dissipation, at an ambient temperature of 35°C, delta T: 35 degrees, calculated as per IEC 60890			
Individual enclosure for wall mounting	P <sub>V</sub>	CO	12
IEC/EN 61439 design verification			
10.2 Strength of materials and parts			
10.2.2 Corrosion resistance			Meets the product standard's requirements.
10.2.3.1 Verification of thermal stability of enclosures			Meets the product standard's requirements.

10.2.3.2 Verification of resistance of insulating materials to normal heat		Meets the product standard's requirements.
10.2.3.3 Verification of resistance of insulating materials to abnormal heat and fire due to internal electric effects		650 °C; meets the product standard's requirements.
10.2.4 Resistance to ultra-violet (UV) radiation		Not relevant to indoor installations.
10.2.5 Lifting		Does not apply to enclosures without lifting aids.
10.2.6 Mechanical impact		IK05
10.2.7 Inscriptions		Meets the product standard's requirements.
10.3 Degree of protection of ASSEMBLIES		IP20
10.4 Clearances and creepage distances		Is the panel builder's responsibility.
10.5 Protection against electric shock		Protection class 2, therefore not applicable.
10.6 Incorporation of switching devices and components		Is the panel builder's responsibility.
10.7 Internal electrical circuits and connections		Is the panel builder's responsibility.
10.8 Connections for external conductors		Is the panel builder's responsibility.
10.9 Insulation properties		
10.9.2 Power-frequency electric strength		$U_i = 400 \text{ V AC}$
10.9.3 Impulse withstand voltage		2.8 kV
10.9.4 Testing of enclosures made of insulating material		Meets the product standard's requirements.
10.10 Temperature rise		The panel builder is responsible for the temperature rise calculation. Eaton will provide heat dissipation data for the devices.
10.11 Short-circuit rating		Is the panel builder's responsibility.
10.12 Electromagnetic compatibility		Is the panel builder's responsibility.
10.13 Mechanical function		Meets the product standard's requirements.

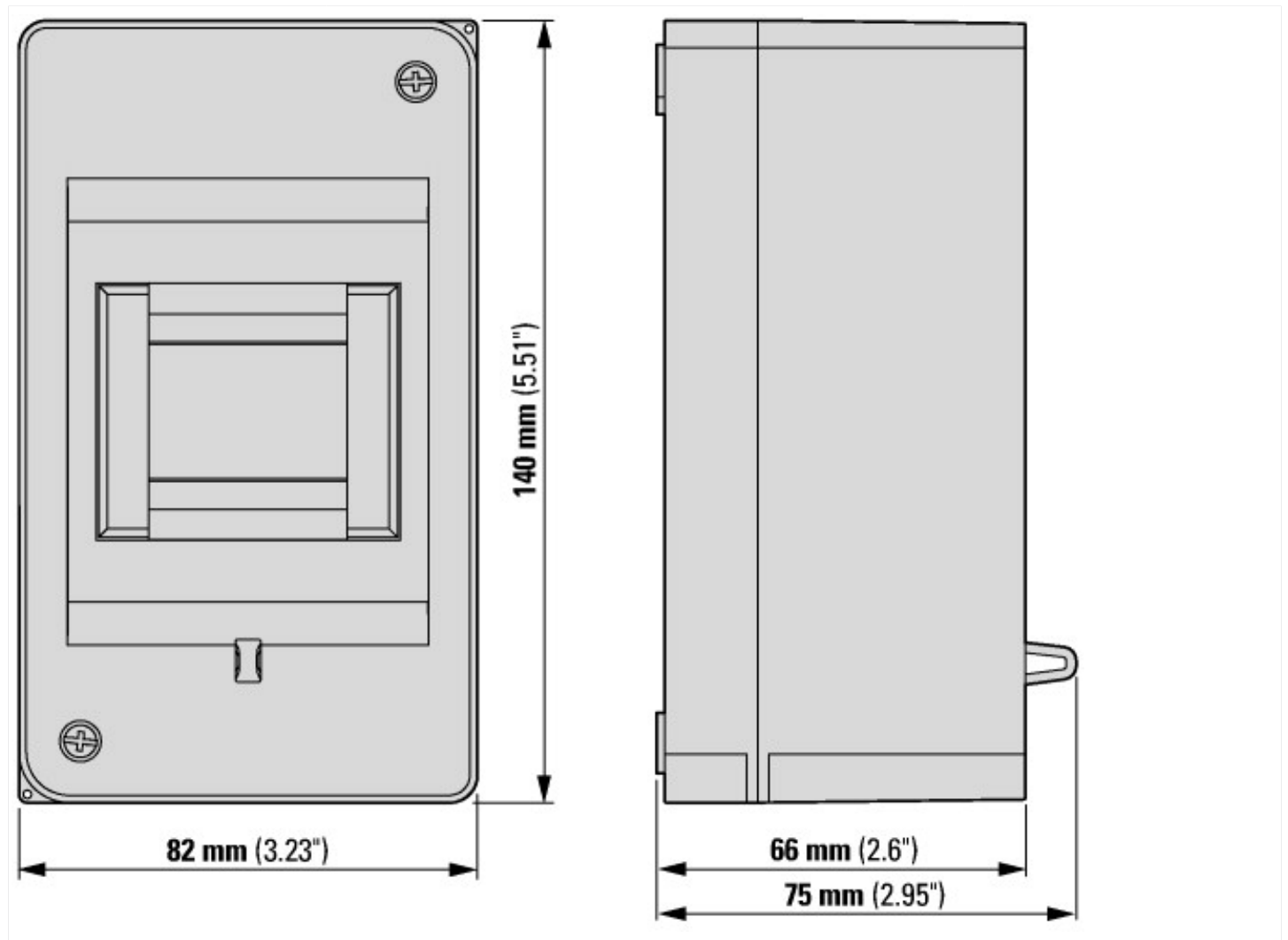
## Technical data ETIM 6.0

Distribution boards (EG000023) / Small distribution board (EC000214)

Electric engineering, automation, process control engineering / Electrical installation, device / Electrical distribution system (incl. small distribution board) / Small distribution board (ecl@ss8.1-27-14-24-09 [ACN387008])

Mounting method		Surface mounting
Number of rows		1
Width in number of modular spacings		3
Type of cover		None
Cover model		With notch
Transparent cover/door		No
Material housing		Plastic
Height	mm	140
Width	mm	82
Depth	mm	66
Built-in depth	mm	70
Internal depth	mm	60
DIN-rail		Yes
With mounting plate		No
Extension possible		No
EMC-version		Yes
Colour		White
RAL-number		9003
Degree of protection (IP)		IP20
With lock		No

## Dimensions



## Additional product information (links)

Product overview (Web)

<http://www.eaton.eu/DE/Europe/Electrical/ProductsServices/Residential/index.htm>