



Insulated enclosure, IP55_x, rotary handle red yellow, for PKZ0

Part no. CI-PKZ0-GRVM
Catalog No. 263525

Delivery program

| | | |
|---|--|---|
| Product range | | Accessories |
| Subrange | | Surface mounting enclosures |
| Accessories | | Insulated enclosures for PKZ |
| | | with red-yellow rotary knob, for use as EMERGENCY STOP switch in accordance with EN 60204 |
| Degree of Protection | | IP55 |
| For use with | | PKZM0-... and VHI +U or A (undervoltage or shunt release) +L-PKZ0 (2 off) |
| Notes | | |
| Integrated terminal for PE(N) connection, two M25 cable entry knockouts at top and at bottom. | | |

Design verification as per IEC/EN 61439

| Technical data for design verification | | | |
|--|------------|----|--|
| Rated operational current for specified heat dissipation | I_n | A | 0 |
| Heat dissipation per pole, current-dependent | P_{vid} | W | 0 |
| Equipment heat dissipation, current-dependent | P_{vid} | W | 0 |
| Static heat dissipation, non-current-dependent | P_{vs} | W | 0 |
| Heat dissipation capacity | P_{diss} | W | 10 |
| Operating ambient temperature min. | | °C | -25 |
| Operating ambient temperature max. | | °C | 70 |
| IEC/EN 61439 design verification | | | |
| 10.2 Strength of materials and parts | | | |
| 10.2.2 Corrosion resistance | | | |
| | | | Meets the product standard's requirements. |
| 10.2.3.1 Verification of thermal stability of enclosures | | | |
| | | | Meets the product standard's requirements. |
| 10.2.3.2 Verification of resistance of insulating materials to normal heat | | | |
| | | | Meets the product standard's requirements. |
| 10.2.3.3 Verification of resistance of insulating materials to abnormal heat and fire due to internal electric effects | | | |
| | | | Meets the product standard's requirements. |
| 10.2.4 Resistance to ultra-violet (UV) radiation | | | |
| | | | Please enquire |
| 10.2.5 Lifting | | | |
| | | | Does not apply, since the entire switchgear needs to be evaluated. |
| 10.2.6 Mechanical impact | | | |
| | | | Does not apply, since the entire switchgear needs to be evaluated. |
| 10.2.7 Inscriptions | | | |
| | | | Meets the product standard's requirements. |
| 10.3 Degree of protection of ASSEMBLIES | | | |
| | | | Does not apply, since the entire switchgear needs to be evaluated. |
| 10.4 Clearances and creepage distances | | | |
| | | | Meets the product standard's requirements. |
| 10.5 Protection against electric shock | | | |
| | | | Does not apply, since the entire switchgear needs to be evaluated. |
| 10.6 Incorporation of switching devices and components | | | |
| | | | Does not apply, since the entire switchgear needs to be evaluated. |
| 10.7 Internal electrical circuits and connections | | | |
| | | | Is the panel builder's responsibility. |
| 10.8 Connections for external conductors | | | |
| | | | Is the panel builder's responsibility. |
| 10.9 Insulation properties | | | |
| 10.9.2 Power-frequency electric strength | | | |
| | | | Is the panel builder's responsibility. |
| 10.9.3 Impulse withstand voltage | | | |
| | | | Is the panel builder's responsibility. |
| 10.9.4 Testing of enclosures made of insulating material | | | |
| | | | Is the panel builder's responsibility. |
| 10.10 Temperature rise | | | |
| | | | The panel builder is responsible for the temperature rise calculation. Eaton will provide heat dissipation data for the devices. |
| 10.11 Short-circuit rating | | | |
| | | | Is the panel builder's responsibility. The specifications for the switchgear must be observed. |
| 10.12 Electromagnetic compatibility | | | |
| | | | Is the panel builder's responsibility. The specifications for the switchgear must be observed. |

Technical data ETIM 6.0

Low-voltage industrial components (EG000017) / Empty enclosure for switchgear (EC000712)

Electric engineering, automation, process control engineering / Low-voltage switch technology / Component for low-voltage switching technology / Empty housing for switch devices (ecl@ss8.1-27-37-13-01 [AKN343011])

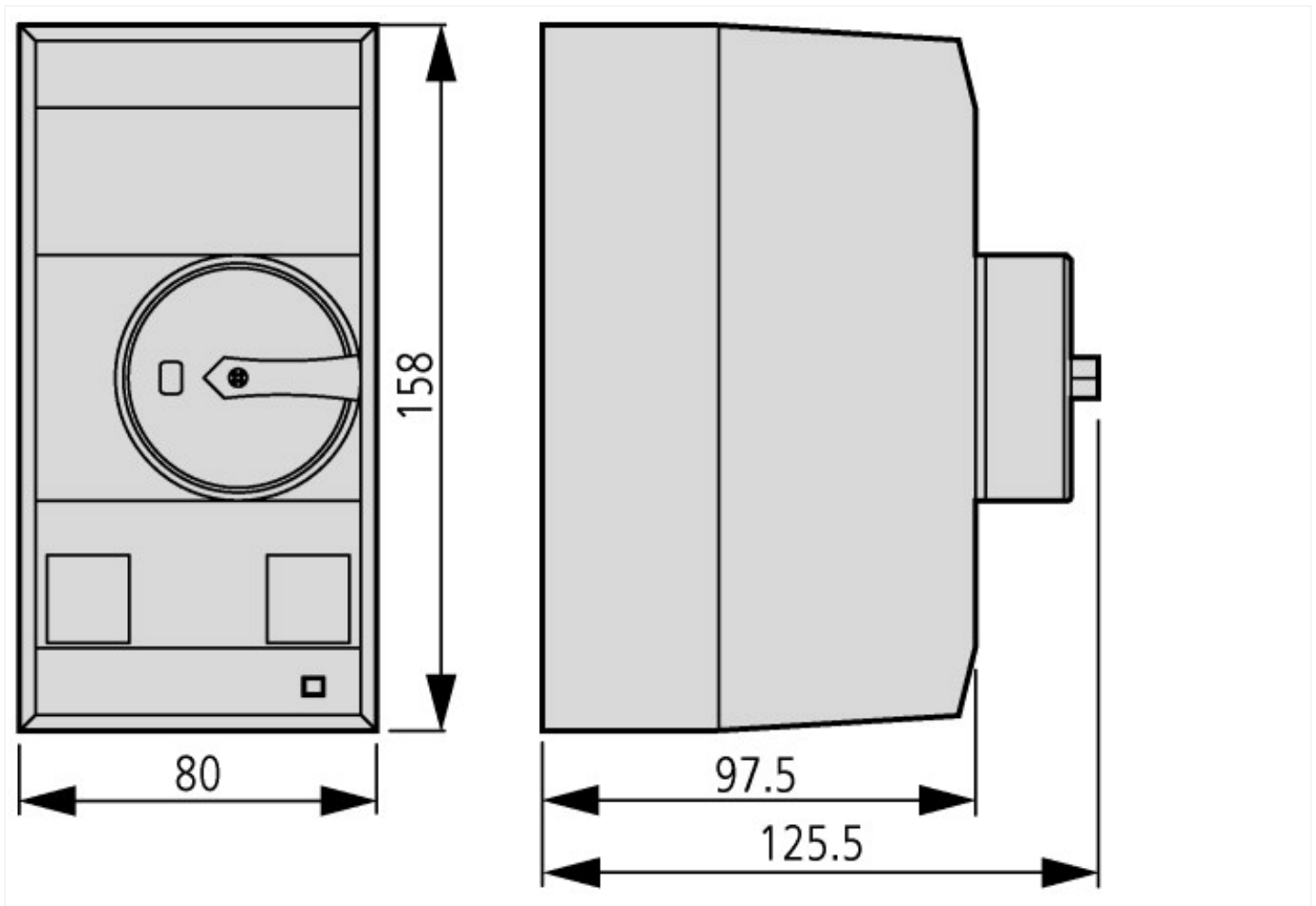
| | | |
|-----------------------------|----|------------------|
| Material housing | | Plastic |
| Width | mm | 97 |
| Height | mm | 160 |
| Depth | mm | 80 |
| With transparent cover | | No |
| Suitable for emergency stop | | Yes |
| Model | | Surface mounting |
| Degree of protection (IP) | | IP55 |

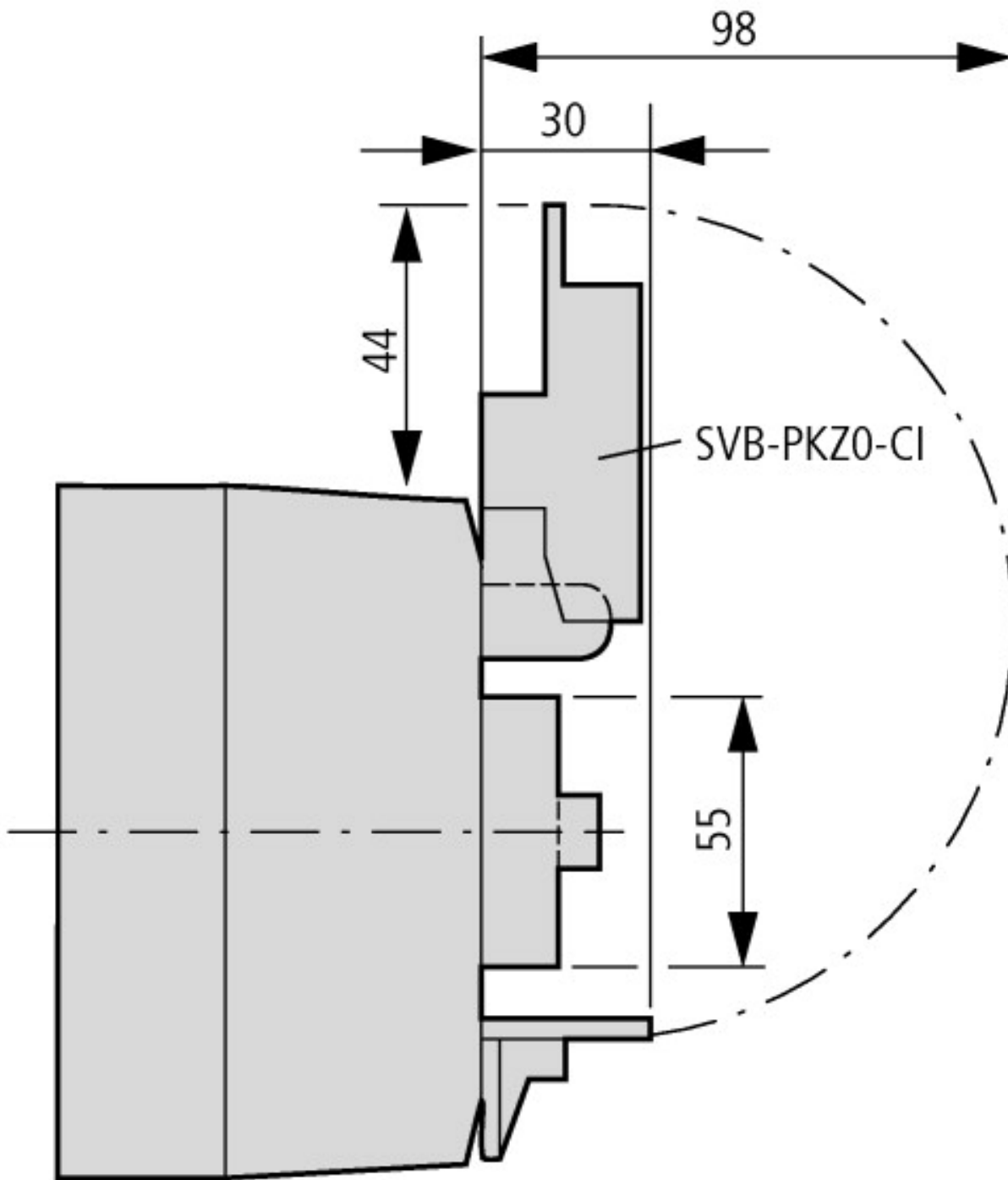
Approvals

Specially designed for North America

No

Dimensions





CI-K2-PKZ0-...M + SVB-PKZ0-CI

Additional product information (links)

IL03407019Z (AWA1210-1326) Insulated enclosure for surface mounting of Motor-protective circuit-breakers; Main switches, Emergency stop; Locking

IL03407019Z (AWA1210-1326) Insulated enclosure for surface mounting of Motor-protective circuit-breakers; Main switches, Emergency stop; Locking

ftp://ftp.moeller.net/DOCUMENTATION/AWA_INSTRUCTIONS/IL03407019Z2010_10.pdf

Motor starters and "Special Purpose Ratings" for the North American market

http://www.moeller.net/binary/ver_techpapers/ver953en.pdf

Busbar Component Adapters for modern Industrial control panels

http://www.moeller.net/binary/ver_techpapers/ver960en.pdf