



Contactor, 3p+1N/C, 3kW/400V/AC3

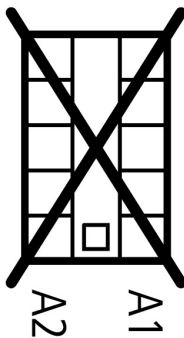
Part no. **DILEEM-01(230V50HZ,240V60HZ)**
 Catalog No. **051633**
 Eaton Catalog No. **XTMC6A01F**
 EL-Nummer **4110177**
 (Norway)

Delivery program

| | | | |
|-----------------------------------------------------------|----------------|----|----------------------------------------------------------------------------------------------------------------------------------------------------------------------------------------------------------------------------|
| Product range | | | Contactors |
| Application | | | Mini Contactors for Motors and Resistive Loads |
| Subrange | | | Contactors DILEEM |
| Utilization category | | | AC-1: Non-inductive or slightly inductive loads, resistance furnaces NAC-3: Normal AC induction motors: starting, switch off during running AC-4: Normal AC induction motors: starting, plugging, reversing, inching |
| | | | |
| Notes | | | Also suitable for motors with efficiency class IE3. IE3-ready devices are identified by the logo on their packaging. |
| Connection technique | | | Screw terminals |
| Description | | | With auxiliary contact |
| Number of poles | | | 3 pole |
| Rated operational current | | | |
| AC-3 | | | |
| 380 V 400 V | I_e | A | 6.6 |
| AC-1 | | | |
| Conventional free air thermal current, 3 pole, 50 - 60 Hz | | | |
| Open | | | |
| at 40 °C | $I_{th} = I_e$ | A | 22 |
| Max. rating for three-phase motors, 50 - 60 Hz | | | |
| AC-3 | | | |
| 220 V 230 V | P | kW | 1.5 |
| 380 V 400 V | P | kW | 3 |
| 660 V 690 V | P | kW | 3 |
| AC-4 | | | |
| 220 V 230 V | P | kW | 1.1 |
| 380 V 400 V | P | kW | 2.2 |
| 660 V 690 V | P | kW | 2.2 |
| Contacts | | | |
| N/C = Normally closed | | | 1 NC |
| Contact sequence | | | |
| For use with | | | ...DILE |
| Actuating voltage | | | 230 V 50 Hz, 240 V 60 Hz |
| Voltage AC/DC | | | AC operation |

Technical data

| | | | |
|------------------------------------------------|--------------|---------------|---------------------------------|
| General | | | |
| Standards | | | IEC/EN 60947, VDE 0660, CSA, UL |
| Lifespan, mechanical; Coil 50/60 Hz | Operations | $\times 10^6$ | 999999999 7 |
| Lifespan, mechanical | Operations | $\times 10^6$ | 10 |
| Maximum operating frequency | | | |
| Mechanical | | Ops./h | 9000 |
| electrical (Contactors without overload relay) | Operations/h | | Page 05/070 |

| | | | |
|-----------------------------------------------------------------------|------------------|------|------------------------------------------------------------------------------------|
| Climatic proofing | | | Damp heat, constant, to IEC 60068-2-78 Damp heat, cyclic, to IEC 60068-2-30 |
| Ambient temperature | | | |
| Open | °C | | -25 - +50 |
| Enclosed | °C | | - 25 - 40 |
| Mounting position | | | As required, except vertical with terminals A1/A2 at the bottom |
| Mounting position | | |  |
| Mechanical shock resistance (IEC/EN 60068-2-27) | | | |
| Half-sinusoidal shock, 10 ms | | | |
| Basic unit without auxiliary contact module | | | |
| Main contacts, make contacts | g | | 10 |
| Main contacts Make/break contacts | g | | |
| Break contact | g | | 10 |
| Basic unit with auxiliary contact module | | | |
| Main contacts make contact | g | | |
| Make | g | | 10 |
| Auxiliary contacts Make/break contacts | g | | 20 / 20 |
| Degree of Protection | | | IP20 |
| Protection against direct contact when actuated from front (EN 50274) | | | Finger and back-of-hand proof |
| Weight | kg | | 0.17 |
| Terminal capacity of auxiliary and main contacts | | | |
| Screw terminals | | | |
| Solid | mm ² | | 1 x (0.75 - 2.5) 2 x (0.75 - 2.5) |
| Flexible with ferrule | mm ² | | 1 x (0.75 - 1.5) 2 x (0.75 - 1.5) |
| Solid or stranded | AWG | | 18 - 14 |
| Stripping length | mm | | 8 |
| Terminal screw | | | M3.5 |
| Pozidriv screwdriver | Size | | 2 |
| Standard screwdriver | mm | | 0.8 x 5.5 1 x 6 |
| Max. tightening torque | Nm | | 1.2 |
| Main conducting paths | | | |
| Rated impulse withstand voltage | U _{imp} | V AC | 6000 |
| Overvoltage category/pollution degree | | | III/3 |
| Rated insulation voltage | U _i | V AC | 690 |
| Rated operational voltage | U _e | V AC | 690 |
| Safe isolation to EN 61140 | | | |
| between coil and contacts | | V AC | 300 |
| between the contacts | | V AC | 300 |
| Making capacity (cos φ to IEC/EN 60947) | | A | 110 |
| Breaking capacity | | | |
| 220 V 230 V | | A | 90 |
| 380 V 400 V | | A | 90 |
| 500 V | | A | 64 |
| 660 V 690 V | | A | 42 |
| Short-circuit protection maximum fuse | | | |

| | | | |
|-----------------------|-------|---|----|
| Type "2" coordination | gL/gG | A | 10 |
| Type "1" coordination | gL/gG | A | 20 |

AC

| | | | |
|-----------------------------------------------------------|----------------|-----|-------------------------------------------------|
| AC-1 | | | |
| Rated operational current | | | |
| Conventional free air thermal current, 3 pole, 50 - 60 Hz | | | |
| Open | | | |
| at 40 °C | $I_{th} = I_e$ | A | 22 |
| at 50 °C | $I_{th} = I_e$ | A | 20 |
| at 55 °C | $I_{th} = I_e$ | A | 19 |
| enclosed | I_{th} | A | 16 |
| Notes | | | At maximum permissible ambient air temperature. |
| Conventional free air thermal current, 1 pole | | | |
| Notes | | | At maximum permissible ambient air temperature. |
| open | I_{th} | A | 50 |
| enclosed | I_{th} | A | 40 |
| AC-3 | | | |
| Rated operational current | | | |
| Open, 3-pole: 50 – 60 Hz | | | |
| Notes | | | |
| | | | At maximum permissible ambient air temperature. |
| 220 V 230 V | I_e | A | 6.6 |
| 240 V | I_e | A | 6.6 |
| 380 V 400 V | I_e | A | 6.6 |
| 415 V | I_e | A | 6.6 |
| 440V | I_e | A | 6.6 |
| 500 V | I_e | A | 5 |
| 660 V 690 V | I_e | A | 3.5 |
| Motor rating | | | |
| 220 V 230 V | P | kWh | 1.5 |
| 240V | P | kWh | 1.8 |
| 380 V 400 V | P | kWh | 3 |
| 415 V | P | kWh | 3.1 |
| 440 V | P | kWh | 3.3 |
| 500 V | P | kWh | 3 |
| 660 V 690 V | P | kWh | 3 |
| AC-4 | | | |
| Rated operational current | | | |
| Open, 3-pole: 50 – 60 Hz | | | |
| Notes | | | |
| | | | At maximum permissible ambient air temperature. |
| 220 V 230 V | I_e | A | 5 |
| 240 V | I_e | A | 5 |
| 380 V 400 V | I_e | A | 5 |
| 415 V | I_e | A | 5 |
| 440 V | I_e | A | 5 |
| 500 V | I_e | A | 3.7 |
| 660 V 690 V | I_e | A | 2.9 |
| Motor rating | | | |
| 220 V 230 V | P | kWh | 1.1 |
| 240 V | P | kWh | 1.3 |
| 380 V 400 V | P | kWh | 2.2 |
| 415 V | P | kWh | 2.3 |
| 440 V | P | kWh | 2.4 |
| 500 V | P | kWh | 2.2 |
| 660 V 690 V | P | kWh | 2.2 |

DC


| | | | | |
|------------------------------------|-------|---|----|-----|
| Rated operational current open | | | | |
| DC-1 | | | | |
| 12 V | I_e | A | 20 | |
| 24 V | I_e | A | 20 | |
| 60 V | I_e | A | 20 | |
| 110 V | I_e | A | 20 | |
| 220 V | I_e | A | 20 | |
| Current heat losses (3- or 4-pole) | | | | |
| bei I_{th} , 50 °C | | | W | 5.5 |
| at I_e to AC-3/400 V | | | W | 0.6 |

Magnet systems

| | | | | |
|----------------------------------------------------------------------|---------|----------|-----------|--|
| Voltage tolerance | | | | |
| AC operated | | | | |
| Single-voltage coil 50 Hz and dual-voltage coil 50 Hz, 60 Hz | Pick-up | $x U_c$ | 0.8 - 1.1 | |
| Dual-frequency coil 50/60 Hz | Pick-up | $x U_c$ | | |
| Voltage tolerance Dual-frequency coil 50/60 Hz, max. pick-up voltage | | $x U_c$ | 1.1 | |
| Power consumption | | | | |
| AC operation | | | | |
| Single-voltage coil 50 Hz and dual-voltage coil 50 Hz, 60 Hz | Pick-up | VA | 25 | |
| Single-voltage coil 50 Hz and dual-voltage coil 50 Hz, 60 Hz | Pick-up | W | 22 | |
| Single-voltage coil 50 Hz and dual-voltage coil 50 Hz, 60 Hz | Sealing | VA | 4.6 | |
| Single-voltage coil 50 Hz and dual-voltage coil 50 Hz, 60 Hz | Sealing | W | 1.3 | |
| Duty factor | | % DF | 100 | |
| Switching times at 100 % U_c | | | | |
| Make contact | | ms | | |
| Closing delay | | ms | | |
| Closing delay min. | | ms | 14 | |
| Closing delay max. | | ms | 21 | |
| Opening delay | | ms | | |
| Opening delay min. | | ms | 8 | |
| Opening delay max. | | ms | 18 | |
| Closing delay with top mounting auxiliary contact | | ms | max. 45 | |
| Reversing contactors | | | | |
| Changeover time at 110 % U_c | | | | |
| Changeover time min. | | ms | 16 | |
| Changeover time max. | | ms | 21 | |
| Arcing time at 690 V AC | | ms | max. 12 | |
| Coil | | | | |
| Lifespan, mechanical; Coil 50/60 Hz | | $x 10^6$ | 7 | |

Auxiliary contacts

| | | | | |
|--------------------------------------------------------------------------------------------|-----------|------|-------|-----|
| Positive operating contacts to EN 60947-5-1 appendix L, including auxiliary contact module | | | | Yes |
| Rated impulse withstand voltage | U_{imp} | V AC | 6000 | |
| Overvoltage category/pollution degree | | | III/3 | |
| Rated insulation voltage | U_i | V AC | 690 | |
| Rated operational voltage | U_e | V AC | 600 | |
| Safe isolation to EN 61140 | | | | |
| between coil and auxiliary contacts | | V AC | 300 | |
| between the auxiliary contacts | | V AC | 300 | |
| Rated operational current | | | | |
| AC-15 | | | | |
| 220 V 240 V | I_e | A | 6 | |
| 380 V 415 V | I_e | A | 3 | |
| 500 V | I_e | A | 1.5 | |

| | | | |
|----------------------------------------------------------------------------------------------|--------------|---------------|--------------------------------------------------------------------------------------------------------------------|
| DC L/R  15 ms | | | |
| Contacts in series: | | A | |
| 1 | 24 V | A | 2.5 |
| 2 | 60 V | A | 2.5 |
| 3 | 100 V | A | 1.5 |
| 3 | 220 V | A | 0.5 |
| Conv. thermal current | I_{th} | A | 10 |
| Control circuit reliability | Failure rate | λ | $<10^{-8}$, < one failure at 100 million operations (at $U_e = 24$ V DC, $U_{min} = 17$ V, $I_{min} = 5.4$ mA) |
| Component lifespan at $U_e = 240$ V | | | |
| AC-15 | Operations | $\times 10^6$ | 0.2 |
| DC current | | | |
| L/R = 50 ms: 2 contacts in series at $I_e = 0.5$ A | Operations | $\times 10^6$ | 0.15 |
| Notes | | | Switch-on and switch-off conditions based on DC-13, time constant as specified |
| Short-circuit rating without welding | | | |
| Maximum overcurrent protective device | | | |
| Short-circuit protection only | | | PKZM0-4 |
| Short-circuit protection maximum fuse | | | |
| 500 V | | A gG/gL | 6 |
| 500 V | | A fast | 10 |
| Current heat loss at a load of I_{th} per contact | | W | 1.1 |

Rating data for approved types

| | | | |
|------------------------------|--|------|------|
| Switching capacity | | | |
| Maximum motor rating | | | |
| Three-phase | | | |
| 200 V 208 V | | HP | 1.5 |
| 230 V 240 V | | HP | 2 |
| 460 V 480 V | | HP | 3 |
| 575 V 600 V | | HP | 3 |
| Single-phase | | | |
| 115 V 120 V | | HP | 0.25 |
| 230 V 240 V | | HP | 1 |
| General use | | A | 15 |
| Auxiliary contacts | | | |
| Pilot Duty | | | |
| AC operated | | | A600 |
| DC operated | | | P300 |
| General Use | | | |
| AC | | V | 600 |
| AC | | A | 10 |
| DC | | V | 250 |
| DC | | A | 0.5 |
| Short Circuit Current Rating | | SCCR | |
| Basic Rating | | | |
| SCCR | | kA | 5 |
| max. Fuse | | A | 45 |

Design verification as per IEC/EN 61439

| | | | |
|----------------------------------------------------------|-----------|---|-----|
| Technical data for design verification | | | |
| Rated operational current for specified heat dissipation | I_n | A | 6.6 |
| Heat dissipation per pole, current-dependent | P_{vid} | W | 0.2 |

| | | | |
|------------------------------------------------------------------------------------------------------------------------|-------------------|----|----------------------------------------------------------------------------------------------------------------------------------|
| Equipment heat dissipation, current-dependent | P _{vid} | W | 0.6 |
| Static heat dissipation, non-current-dependent | P _{vs} | W | 1.8 |
| Heat dissipation capacity | P _{diss} | W | 0 |
| Operating ambient temperature max. | | °C | -25 |
| Operating ambient temperature max. | | °C | 50 |
| IEC/EN 61439 design verification | | | |
| 10.2 Strength of materials and parts | | | |
| 10.2.2 Corrosion resistance | | | Meets the product standard's requirements. |
| 10.2.3.1 Verification of thermal stability of enclosures | | | Meets the product standard's requirements. |
| 10.2.3.2 Verification of resistance of insulating materials to normal heat | | | Meets the product standard's requirements. |
| 10.2.3.3 Verification of resistance of insulating materials to abnormal heat and fire due to internal electric effects | | | Meets the product standard's requirements. |
| 10.2.4 Resistance to ultra-violet (UV) radiation | | | Meets the product standard's requirements. |
| 10.2.5 Lifting | | | Does not apply, since the entire switchgear needs to be evaluated. |
| 10.2.6 Mechanical impact | | | Does not apply, since the entire switchgear needs to be evaluated. |
| 10.2.7 Inscriptions | | | Meets the product standard's requirements. |
| 10.3 Degree of protection of ASSEMBLIES | | | Does not apply, since the entire switchgear needs to be evaluated. |
| 10.4 Clearances and creepage distances | | | Meets the product standard's requirements. |
| 10.5 Protection against electric shock | | | Does not apply, since the entire switchgear needs to be evaluated. |
| 10.6 Incorporation of switching devices and components | | | Does not apply, since the entire switchgear needs to be evaluated. |
| 10.7 Internal electrical circuits and connections | | | Is the panel builder's responsibility. |
| 10.8 Connections for external conductors | | | Is the panel builder's responsibility. |
| 10.9 Insulation properties | | | |
| 10.9.2 Power-frequency electric strength | | | Is the panel builder's responsibility. |
| 10.9.3 Impulse withstand voltage | | | Is the panel builder's responsibility. |
| 10.9.4 Testing of enclosures made of insulating material | | | Is the panel builder's responsibility. |
| 10.10 Temperature rise | | | The panel builder is responsible for the temperature rise calculation. Eaton will provide heat dissipation data for the devices. |
| 10.11 Short-circuit rating | | | Is the panel builder's responsibility. The specifications for the switchgear must be observed. |
| 10.12 Electromagnetic compatibility | | | Is the panel builder's responsibility. The specifications for the switchgear must be observed. |
| 10.13 Mechanical function | | | The device meets the requirements, provided the information in the instruction leaflet (IL) is observed. |

Technical data ETIM 6.0

| | | | |
|------------------------------------------------------------------------------------------------------------------------------------------------------------------------------------|----|--|------------------|
| Low-voltage industrial components (EG000017) / Power contactor, AC switching (EC000066) | | | |
| Electric engineering, automation, process control engineering / Low-voltage switch technology / Contactor (LV) / Power contactor, AC switching (ecl@ss8.1-27-37-10-03 [AAB718012]) | | | |
| Rated control supply voltage U _s at AC 50HZ | V | | 230 - 230 |
| Rated control supply voltage U _s at AC 60HZ | V | | 240 - 240 |
| Rated control supply voltage U _s at DC | V | | 0 - 0 |
| Voltage type for actuating | | | AC |
| Rated operation current I _e at AC-1, 400 V | A | | 22 |
| Rated operation current I _e at AC-3, 400 V | A | | 6.6 |
| Rated operation power at AC-3, 400 V | kW | | 3 |
| Rated operation current I _e at AC-4, 400 V | A | | 5 |
| Rated operation power I _e at AC-4, 400 V | kW | | 2.2 |
| Modular version | | | No |
| Number of auxiliary contacts as normally open contact | | | 0 |
| Number of auxiliary contacts as normally closed contact | | | 1 |
| Type of electrical connection of main circuit | | | Screw connection |
| Number of normally closed contacts as main contact | | | 0 |
| Number of main contacts as normally open contact | | | 3 |

Approvals

| | | | |
|-------------------|--|--|-----------------------------------------------------------|
| Product Standards | | | IEC/EN 60947-4-1; UL 508; CSA-C22.2 No. 14-05; CE marking |
| UL File No. | | | E29096 |

UL Category Control No.

NLDX

CSA File No.

012528

CSA Class No.

3211-04

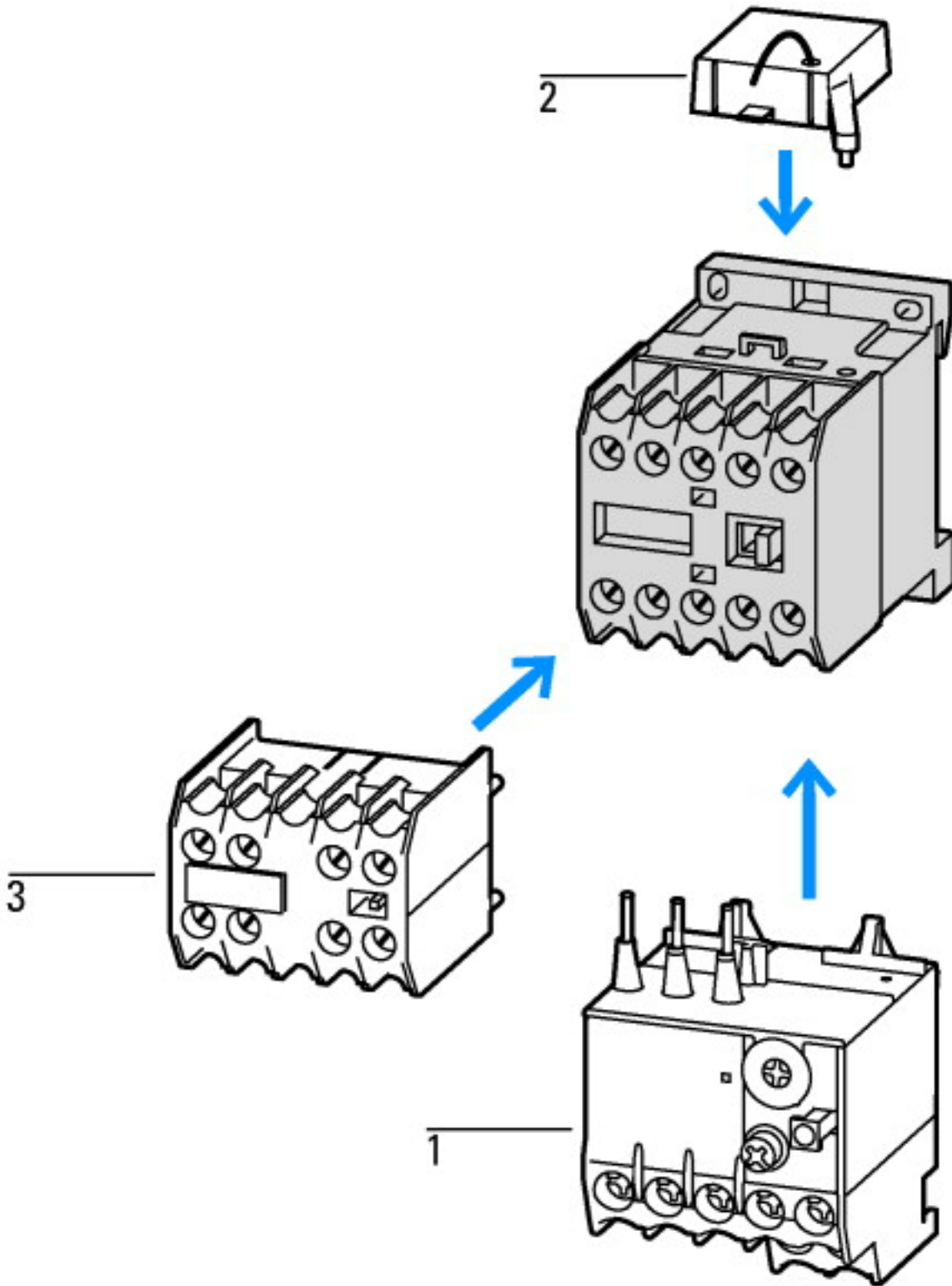
North America Certification

UL listed, CSA certified

Specially designed for North America

No

Characteristics

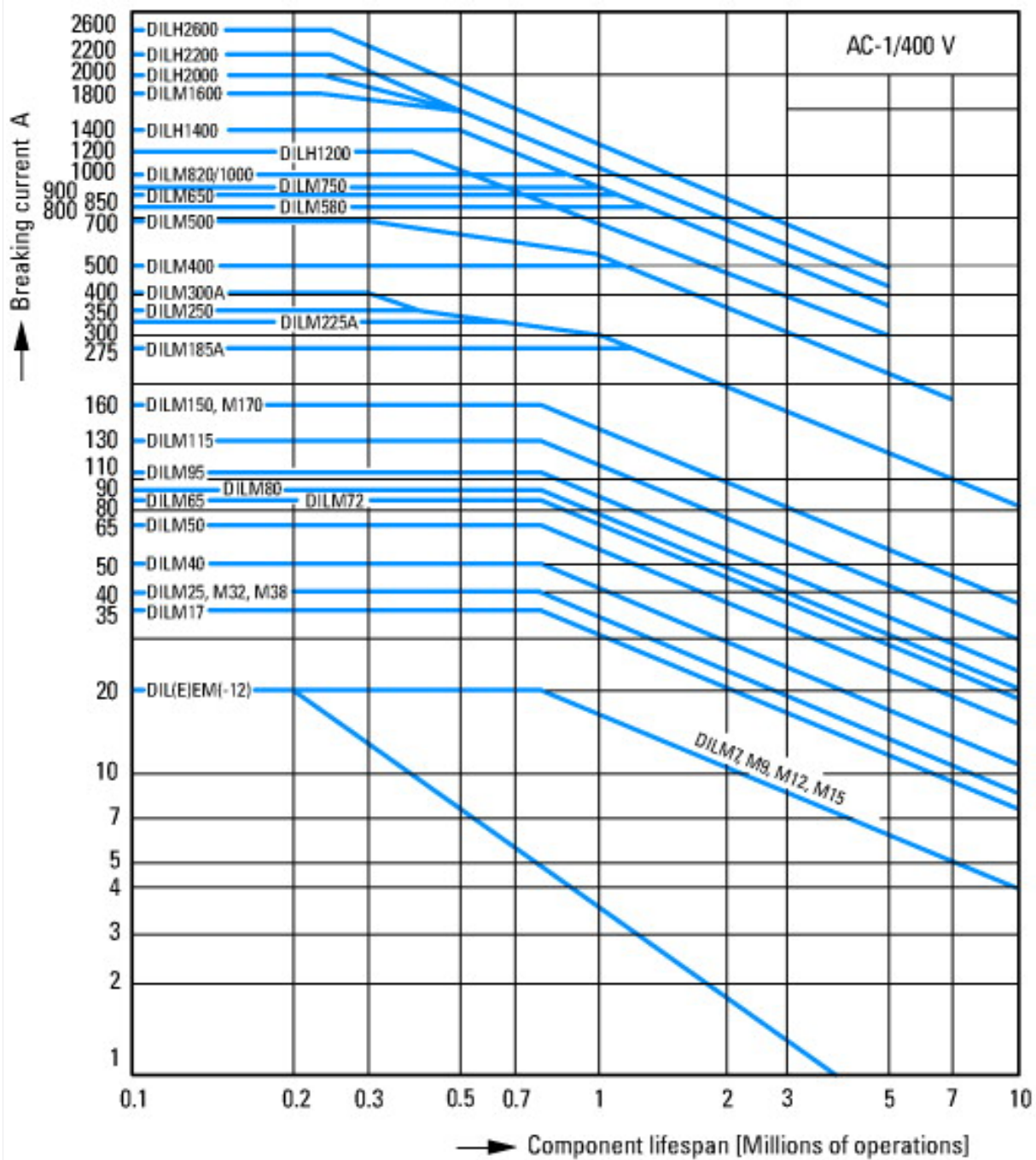


1: Overload relay

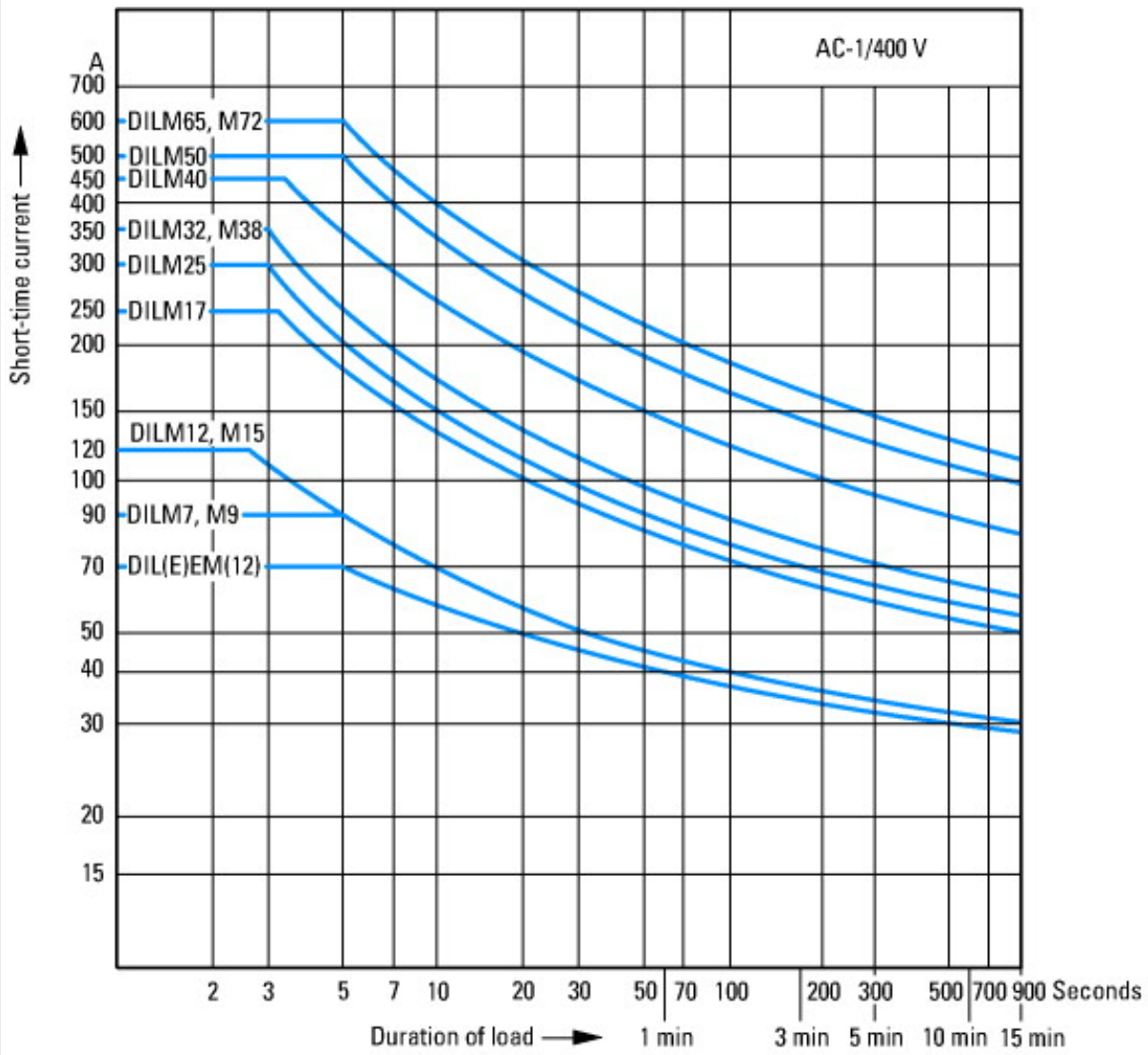
2: Suppressor

3: Auxiliary contact modules

Enclosure totally insulated

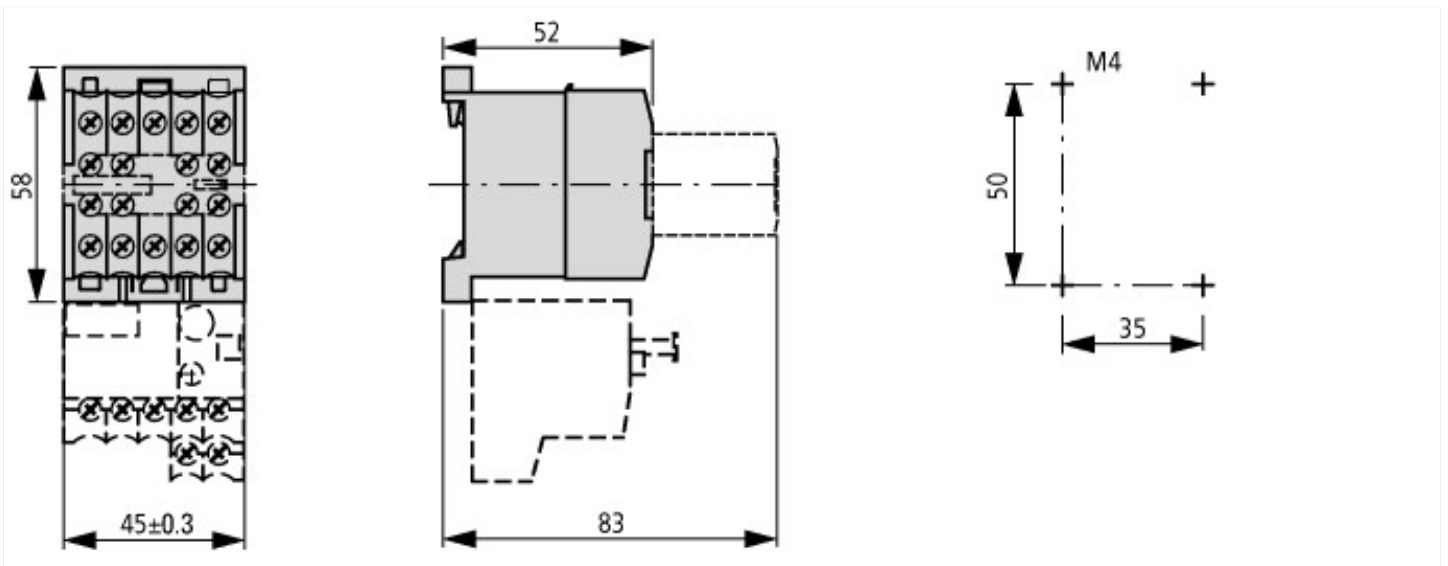


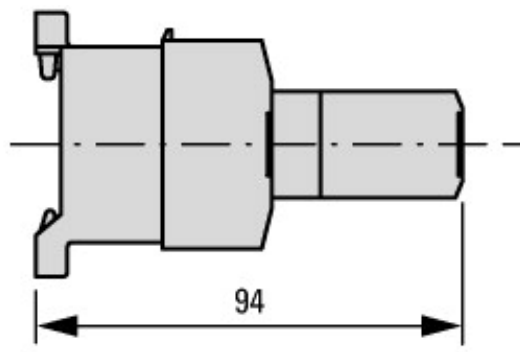
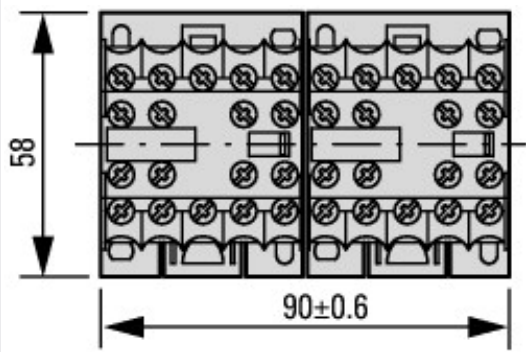
Switching duty for non-motor loads, 3-pole, 4-pole
 Operating characteristics
 Non-inductive or slightly inductive loads
 Electrical characteristics
 Make: 1 x rated current
 Break: 1 x rated current
 Utilization category
 100 % AC-1
 Typical applications
 Electric heat



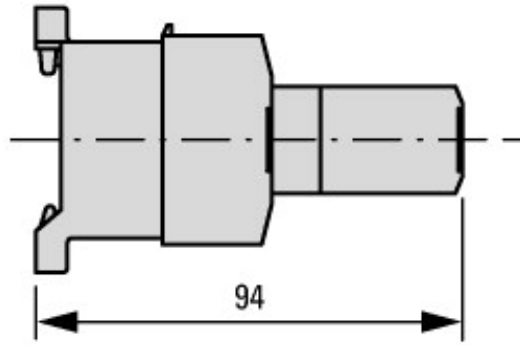
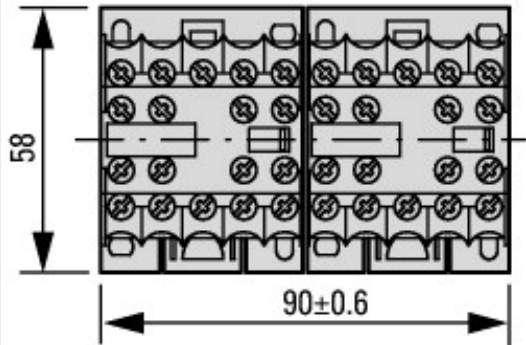
Short-time loading, 3-pole
 Time interval between two loading cycles: 15 minutes

Dimensions

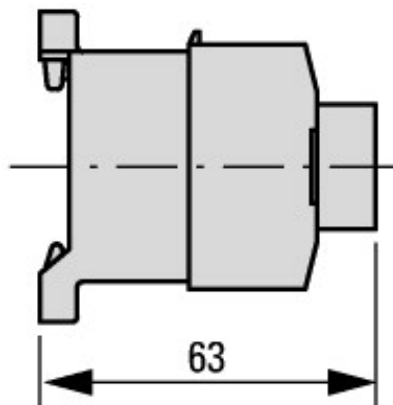
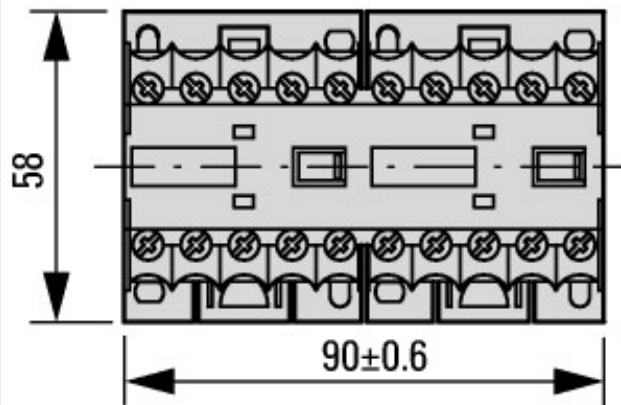




2DILE-... + MVDILE + ...DILE
2DILE-...-G + MVDILE + ...DILE



2DILE-... + MVDILE + ...DILE
2DILE-...-G + MVDILE + ...DILE



2DILE-... + MVDILE
2DILE-...-G + MVDILE

Additional product information (links)

IL03407009Z (AWA2100-0882) mini contactor relay

IL03407009Z (AWA2100-0882) mini contactor relay

ftp://ftp.moeller.net/DOCUMENTATION/AWA_INSTRUCTIONS/IL03407009Z2016_03.pdf

UL/CSA: Approved rating data

<http://de.ecat.moeller.net/flip-cat/?edition=HPLTE&startpage=5.84>