



Contactor, 3p+2N/O+2N/C, 400kW/400V/AC3

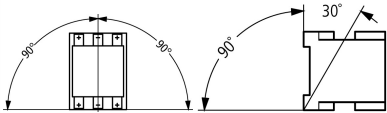
**Part no.** DILM750/22(RA250)  
**Catalog No.** 208222  
**Eaton Catalog No.** XTCE750N22A  
**EL-Nummer (Norway)** 4134089

## Delivery program

Product range				Contactors
Application				Contactors for Motors
Subrange				Comfort devices greater than 170 A
Utilization category				AC-1: Non-inductive or slightly inductive loads, resistance furnaces NAC-3: Normal AC induction motors: starting, switch off during running AC-4: Normal AC induction motors: starting, plugging, reversing, inching
Connection technique				Screw connection
<b>Rated operational current</b>				
AC-3				
380 V 400 V	$I_e$	A		750
AC-1				
Conventional free air thermal current, 3 pole, 50 - 60 Hz				
Open				
at 40 °C	$I_{th} = I_e$	A		1102
Conventional free air thermal current, 1 pole				
open	$I_{th}$	A		2250
<b>Max. rating for three-phase motors, 50 - 60 Hz</b>				
AC-3				
220 V 230 V	P	kW		240
380 V 400 V	P	kW		400
660 V 690 V	P	kW		720
1000 V	P	kW		800
AC-4				
220 V 230 V	P	kW		181
380 V 400 V	P	kW		315
660 V 690 V	P	kW		556
1000 V	P	kW		678
Contact sequence				
Can be combined with auxiliary contact				DILM820-XHI...
Actuating voltage				RA 250: 110 - 250 V 40 - 60 Hz/110 - 350 V DC
Voltage AC/DC				AC and DC operation
<b>Contacts</b>				
N/O = Normally open				2 N/O
N/C = Normally closed				2 NC
<b>Auxiliary contacts</b>				
possible variants at auxiliary contact module fitting options				on the side: 2 x DILM820-XHI11(V)-SI; 2 x DILM820-XHI11-SA
Side mounting auxiliary contacts				
<b>Instructions</b>				integrated suppressor circuit in actuating electronics 660 V, 690 V or 1000 V: not directly reversing

## Technical data

<b>General</b>				
Standards				IEC/EN 60947, VDE 0660, UL, CSA
Lifespan, mechanical				

AC operated	Operations	x 10 <sup>6</sup>	5
DC operated	Operations	x 10 <sup>6</sup>	5
Operating frequency, mechanical			
AC operated	Operations/h		1000
DC operated	Operations/h		1000
Climatic proofing			
Damp heat, constant, to IEC 60068-2-78 Damp heat, cyclic, to IEC 60068-2-30			
Ambient temperature			
Open	°C		-40 - +60
Enclosed	°C		-40 - +40
Storage	°C		-40 - +80
Mounting position			
			
Mechanical shock resistance (IEC/EN 60068-2-27)			
Half-sinusoidal shock, 10 ms			
Main contacts			
N/O contact	g		10
Auxiliary contacts			
N/O contact	g		10
N/C contact	g		8
Degree of Protection			
IP00			
Protection against direct contact when actuated from front (EN 50274)			
Finger and back-of-hand proof with terminal shroud or terminal block			
Weight			
AC operated	kg		16.52
DC operated	kg		16.52
Weight	kg		16.52
Terminal capacity main cable			
Flexible with cable lug	mm <sup>2</sup>		50 - 240
Stranded with cable lug	mm <sup>2</sup>		70 - 240
Solid or stranded	AWG		2/0 - 500 MCM
Flat conductor	Lamellenzahl x Breite x Dicke	mm	Fixing with flat cable terminal or cable terminal blocks See terminal capacity for cable terminal blocks
Busbar	Width	mm	60
Main cable connection screw/bolt			
M12			
Tightening torque			
Nm 35			
Terminal capacity control circuit cables			
Solid	mm <sup>2</sup>		1 x (0.75 - 2.5) 2 x (0.75 - 2.5)
Flexible with ferrule	mm <sup>2</sup>		1 x (0.75 - 2.5) 2 x (0.75 - 2.5)
Solid or stranded	AWG		2 x (18 - 12)
Control circuit cable connection screw/bolt			
M3.5			
Tightening torque			
Nm 1.2			
Tool			
Main cable			
Width across flats	mm		18
Control circuit cables			
Pozidriv screwdriver	Size		2
<b>Main conducting paths</b>			
Rated impulse withstand voltage	U <sub>imp</sub>	V AC	8000
Overvoltage category/pollution degree			
III/3			
Rated insulation voltage	U <sub>i</sub>	V AC	1000
Rated operational voltage	U <sub>e</sub>	V AC	1000
Safe isolation to EN 61140			

between coil and contacts		V AC	500
between the contacts		V AC	500
Making capacity (p.f. to IEC/EN 60947)		A	9840
Breaking capacity			
220 V 230 V		A	8200
380 V 400 V		A	8200
500 V		A	8200
660 V 690 V		A	8200
1000 V		A	5800
Component lifespan			
			AC1: See → Engineering, characteristic curves AC3: See → Engineering, characteristic curves AC4: See → Engineering, characteristic curves
Short-circuit rating			
Short-circuit protection maximum fuse			
Type "2" coordination			
400 V	gG/gL 500 V	A	630
690 V	gG/gL 690 V	A	630
1000 V	gG/gL 1000 V	A	630
Type "1" coordination			
400 V	gG/gL 500 V	A	1200
690 V	gG/gL 690 V	A	1200
1000 V	gG/gL 1000 V	A	800

## AC

AC-1			
Rated operational current			
Conventional free air thermal current, 3 pole, 50 - 60 Hz			
Open			
at 40 °C	$I_{th} = I_e$	A	1102
at 50 °C	$I_{th} = I_e$	A	986
at 55 °C	$I_{th} = I_e$	A	940
at 60 °C	$I_{th} = I_e$	A	900
Conventional free air thermal current, 1 pole			
Note			at maximum permissible ambient air temperature
open	$I_{th}$	A	2250
AC-3			
Rated operational current			
Open, 3-pole: 50 – 60 Hz			
220 V 230 V	$I_e$	A	750
240 V	$I_e$	A	750
380 V 400 V	$I_e$	A	750
415 V	$I_e$	A	750
440V	$I_e$	A	750
500 V	$I_e$	A	750
660 V 690 V	$I_e$	A	750
1000 V	$I_e$	A	580
Motor rating	P	kWh	
220 V 230 V	P	kW	240
240V	P	kW	260
380 V 400 V	P	kW	400
415 V	P	kW	455
440 V	P	kW	480
500 V	P	kW	550
660 V 690 V	P	kW	720
1000 V	P	kW	800

AC-4			
Rated operational current			
Open, 3-pole: 50 – 60 Hz			
220 V 230 V	$I_e$	A	576
240 V	$I_e$	A	576
380 V 400 V	$I_e$	A	576
415 V	$I_e$	A	576
440 V	$I_e$	A	576
500 V	$I_e$	A	576
660 V 690 V	$I_e$	A	576
1000 V	$I_e$	A	464
Motor rating			
220 V 230 V	P	kWh	
240 V	P	kW	181
380 V 400 V	P	kW	200
415 V	P	kW	315
440 V	P	kW	346
500 V	P	kW	367
660 V 690 V	P	kW	417
1000 V	P	kW	556
	P	kW	678

### Condensator operation

Individual compensation, rated operational current $I_e$ of three-phase capacitors			
Open			
up to 525 V		A	463
690 V		A	265
Max. inrush current peak		$\times I_e$	30
Component lifespan	Operations	$\times 10^6$	0.1
Max. operating frequency		Ops/h	200

### Current heat loss

3 pole, at $I_{th}$ (60°)		W	78
Current heat loss at $I_e$ to AC-3/400 V		W	54

### Magnet systems

Voltage tolerance			
$U_S$			110 - 250 V 40-60 Hz 110 - 350 V DC
AC operated	Pick-up	$\times U_S$	$0.7 \times U_{S \min} - 1.15 \times U_{S \max}$
DC operated	Pick-up	$\times U_S$	$0.7 \times U_{S \min} - 1.15 \times U_{S \max}$
AC operated	Drop-out	$\times U_S$	$0.2 \times U_{S \max} - 0.6 \times U_{S \min}$
DC operated	Drop-out	$\times U_S$	$0.2 \times U_{S \max} - 0.6 \times U_{S \min}$
Power consumption of the coil in a cold state and $1.0 \times U_C$			
Note on power consumption			Control transformer with $u_k \approx 0.7$
Pull-in power	Pick-up	VA	800
Pull-in power	Pick-up	W	700
Sealing power	Sealing	VA	7.5
Sealing power	Sealing	W	6.5
Duty factor		% DF	100
Changeover time at 100 % $U_C$ (recommended value)			
Main contacts			
Closing delay		ms	70
Opening delay		ms	110
Behaviour in marginal and transitional conditions			
Sealing			
Voltage interruptions			
$(0 \dots 0.2 \times U_{C \min}) \approx 10 \text{ ms}$			Time is bridged successfully

$(0 \dots 0.2 \times U_{c \min}) > 10 \text{ ms}$			Drop-out of the contactor
Voltage drops			
$(0.2 \dots 0.6 \times U_{c \min}) \leq 12 \text{ ms}$			Time is bridged successfully
$(0.2 \dots 0.6 \times U_{c \min}) > 12 \text{ ms}$			Drop-out of the contactor
$(0.6 \dots 0.7 \times U_{c \min})$			Contactors remains switched on
Excess voltage			
$(1.15 \dots 1.3 \times U_{c \max})$			Contactors remains switched on
Pick-up phase			
$(0 \dots 0.7 \times U_{c \min})$			Contactors does not switch on
$(0.7 \times U_{c \min} \dots 1.15 \times U_{c \max})$			Contactors switches on with certainty
Admissible transitional contact resistance (of the external control circuit device when actuating A11)	mΩ	$\leq$	500
PLC signal level (A3 - A4) to IEC/EN 61131-2 (type 2)			
High	V		15
Low	V		5

### Electromagnetic compatibility (EMC)

Electromagnetic compatibility			This product is designed for operation in industrial environments (environment 2). The use in residential environments (environment 1) could cause electrical interference so that addition suppression must be planned.
-------------------------------	--	--	--

### Rating data for approved types

Switching capacity			
Maximum motor rating			
Three-phase			
200 V 208 V	HP		250
230 V 240 V	HP		300
460 V 480 V	HP		600
575 V 600 V	HP		700
General use	A		1102
Auxiliary contacts			
Pilot Duty			
AC operated			A600
DC operated			P300
General Use			
AC	V		600
AC	A		15
DC	V		250
DC	A		1
Short Circuit Current Rating		SCCR	
Basic Rating			
SCCR	kA		42
max. Fuse	A		2000
max. CB	A		1200
480 V High Fault			
SCCR (fuse)	kA		85
max. Fuse	A		2000
SCCR (CB)	kA		85
max. CB	A		1200
600 V High Fault			
SCCR (fuse)	kA		85
max. Fuse	A		2000
SCCR (CB)	kA		85
max. CB	A		1200
Special Purpose Ratings			
Definite Purpose Ratings (100,000 cycles acc. to UL 1995)			

LRA 480V 60Hz 3phase	A	4800
FLA 480V 60Hz 3phase	A	800
LRA 600V 60Hz 3phase	A	4800
FLA 600V 60Hz 3phase	A	800

## Design verification as per IEC/EN 61439

Technical data for design verification			
Rated operational current for specified heat dissipation	$I_n$	A	750
Heat dissipation per pole, current-dependent	$P_{vid}$	W	18
Equipment heat dissipation, current-dependent	$P_{vid}$	W	0
Static heat dissipation, non-current-dependent	$P_{vs}$	W	6.5
Heat dissipation capacity	$P_{diss}$	W	0
Operating ambient temperature max.		°C	-40
Operating ambient temperature max.		°C	60
IEC/EN 61439 design verification			
10.2 Strength of materials and parts			
10.2.2 Corrosion resistance			Meets the product standard's requirements.
10.2.3.1 Verification of thermal stability of enclosures			Meets the product standard's requirements.
10.2.3.2 Verification of resistance of insulating materials to normal heat			Meets the product standard's requirements.
10.2.3.3 Verification of resistance of insulating materials to abnormal heat and fire due to internal electric effects			Meets the product standard's requirements.
10.2.4 Resistance to ultra-violet (UV) radiation			Meets the product standard's requirements.
10.2.5 Lifting			Does not apply, since the entire switchgear needs to be evaluated.
10.2.6 Mechanical impact			Does not apply, since the entire switchgear needs to be evaluated.
10.2.7 Inscriptions			Meets the product standard's requirements.
10.3 Degree of protection of ASSEMBLIES			Does not apply, since the entire switchgear needs to be evaluated.
10.4 Clearances and creepage distances			Meets the product standard's requirements.
10.5 Protection against electric shock			Does not apply, since the entire switchgear needs to be evaluated.
10.6 Incorporation of switching devices and components			Does not apply, since the entire switchgear needs to be evaluated.
10.7 Internal electrical circuits and connections			Is the panel builder's responsibility.
10.8 Connections for external conductors			Is the panel builder's responsibility.
10.9 Insulation properties			
10.9.2 Power-frequency electric strength			Is the panel builder's responsibility.
10.9.3 Impulse withstand voltage			Is the panel builder's responsibility.
10.9.4 Testing of enclosures made of insulating material			Is the panel builder's responsibility.
10.10 Temperature rise			The panel builder is responsible for the temperature rise calculation. Eaton will provide heat dissipation data for the devices.
10.11 Short-circuit rating			Is the panel builder's responsibility. The specifications for the switchgear must be observed.
10.12 Electromagnetic compatibility			Is the panel builder's responsibility. The specifications for the switchgear must be observed.
10.13 Mechanical function			The device meets the requirements, provided the information in the instruction leaflet (IL) is observed.

## Technical data ETIM 6.0

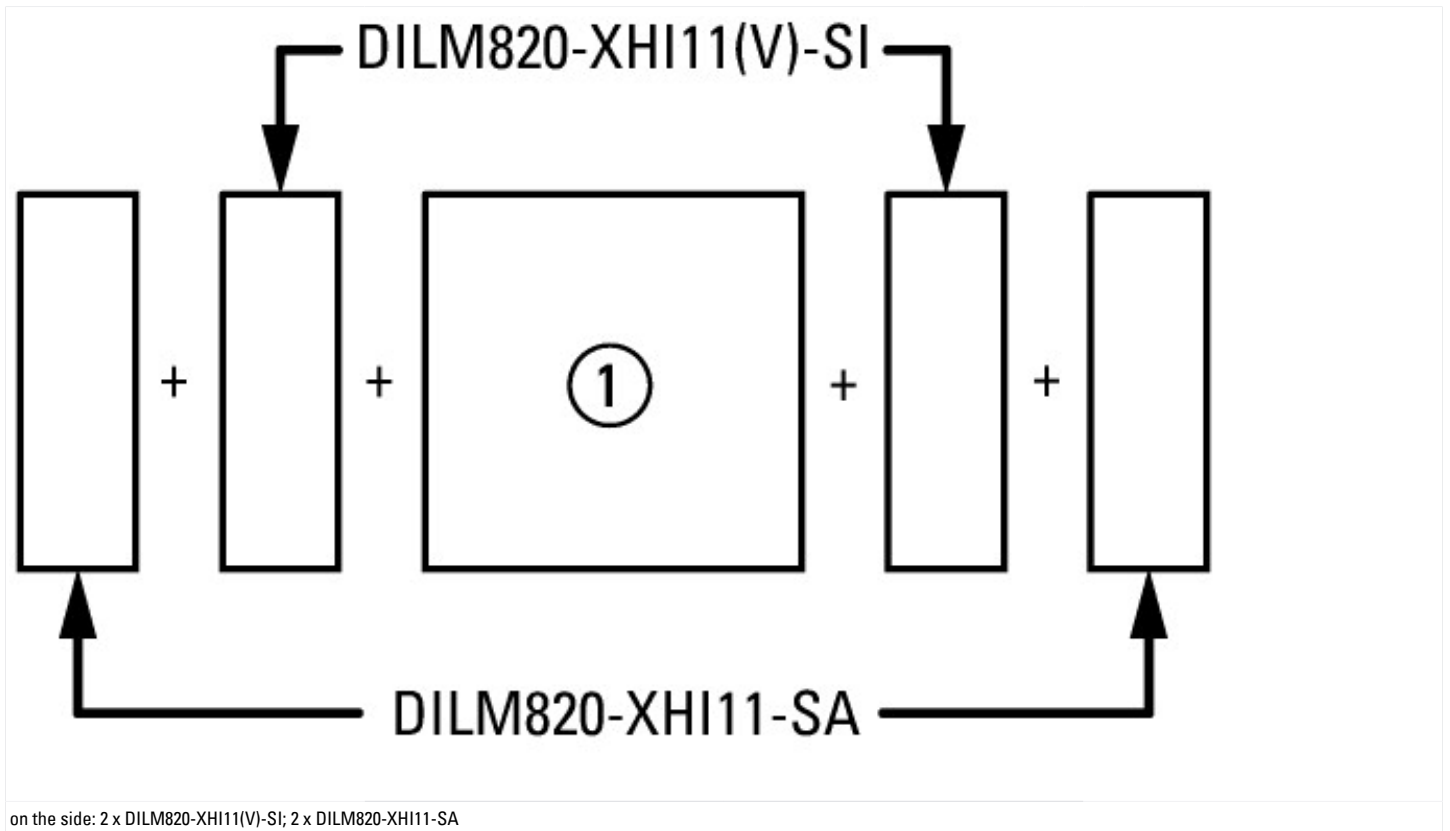
Low-voltage industrial components (EG000017) / Power contactor, AC switching (EC000066)		
Electric engineering, automation, process control engineering / Low-voltage switch technology / Contactor (LV) / Power contactor, AC switching (ecl@ss8.1-27-37-10-03 [AAB718012])		
Rated control supply voltage $U_s$ at AC 50HZ	V	110 - 250
Rated control supply voltage $U_s$ at AC 60HZ	V	110 - 250
Rated control supply voltage $U_s$ at DC	V	110 - 250
Voltage type for actuating		AC/DC
Rated operation current $I_e$ at AC-1, 400 V	A	1102
Rated operation current $I_e$ at AC-3, 400 V	A	750
Rated operation power at AC-3, 400 V	kW	400
Rated operation current $I_e$ at AC-4, 400 V	A	576
Rated operation power $I_e$ at AC-4, 400 V	kW	315
Modular version		No

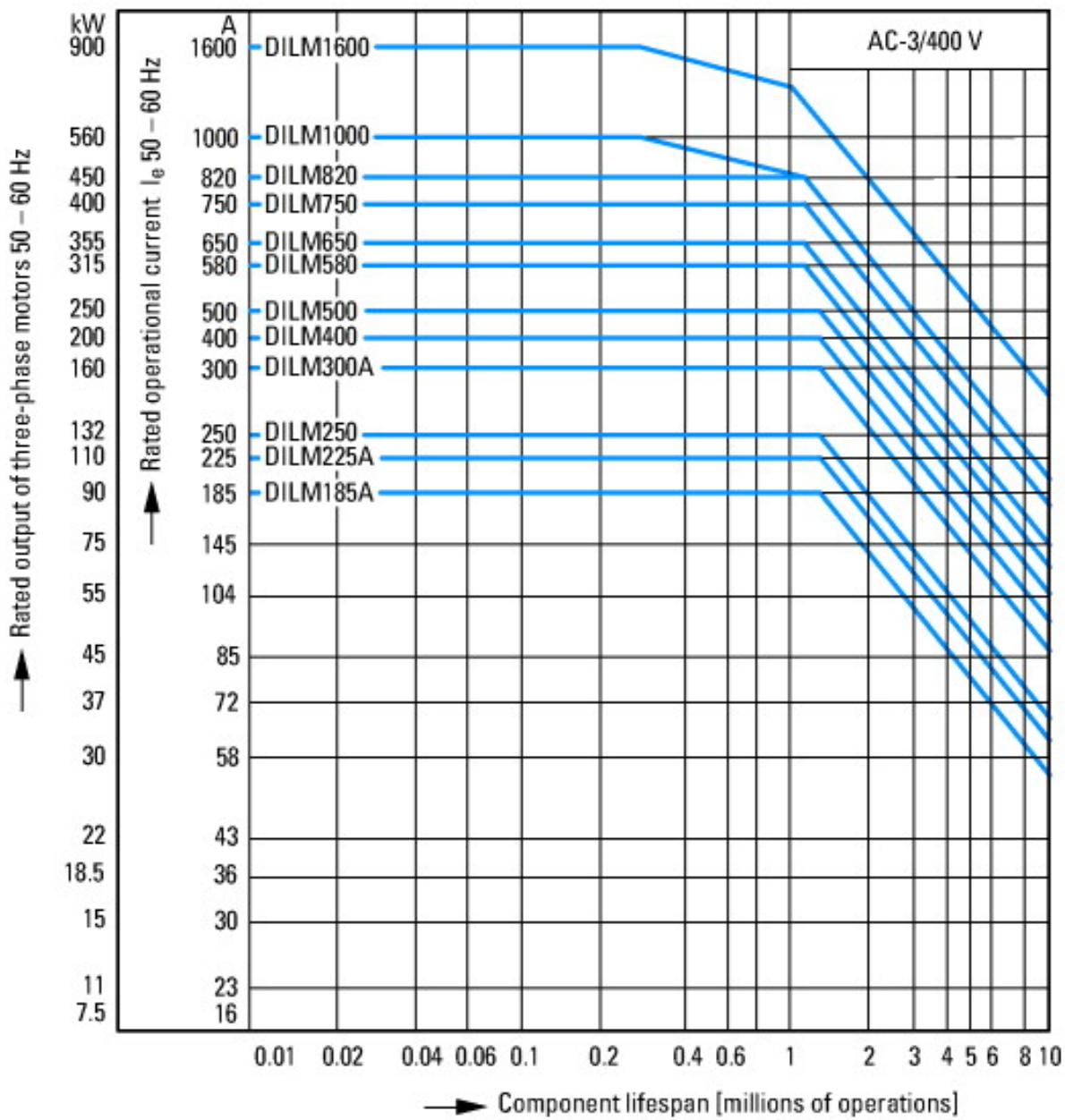
Number of auxiliary contacts as normally open contact		2
Number of auxiliary contacts as normally closed contact		2
Type of electrical connection of main circuit		Rail connection
Number of normally closed contacts as main contact		0
Number of main contacts as normally open contact		3

## Approvals

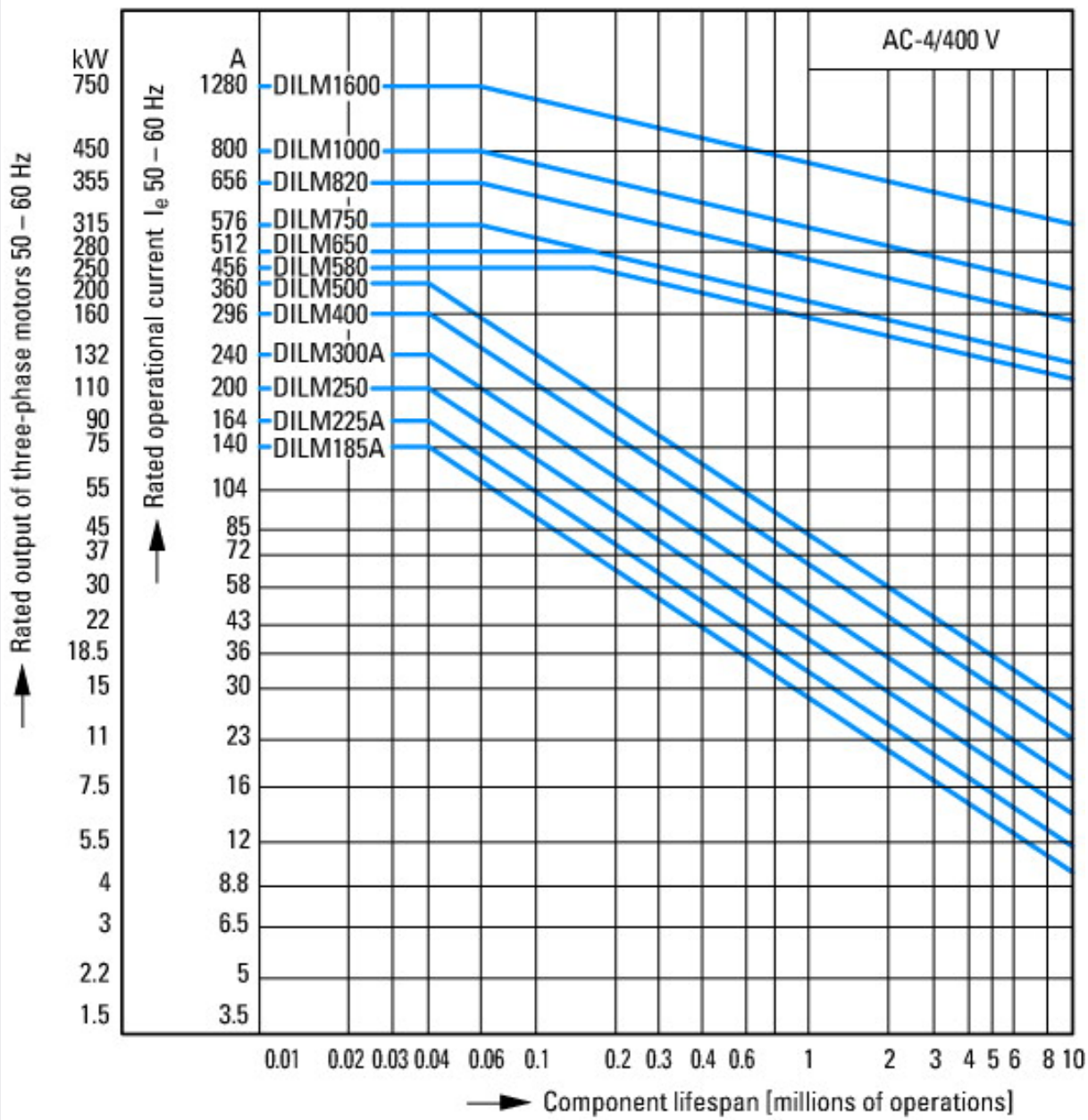
Product Standards		IEC/EN 60947-4-1; UL 60947-4-1; CSA - C22.2 No. 60947-4-1-14; CE marking
UL File No.		E29096
UL Category Control No.		NLDX
CSA File No.		012528
CSA Class No.		3211-04
North America Certification		UL listed, CSA certified
Specially designed for North America		No

## Characteristics





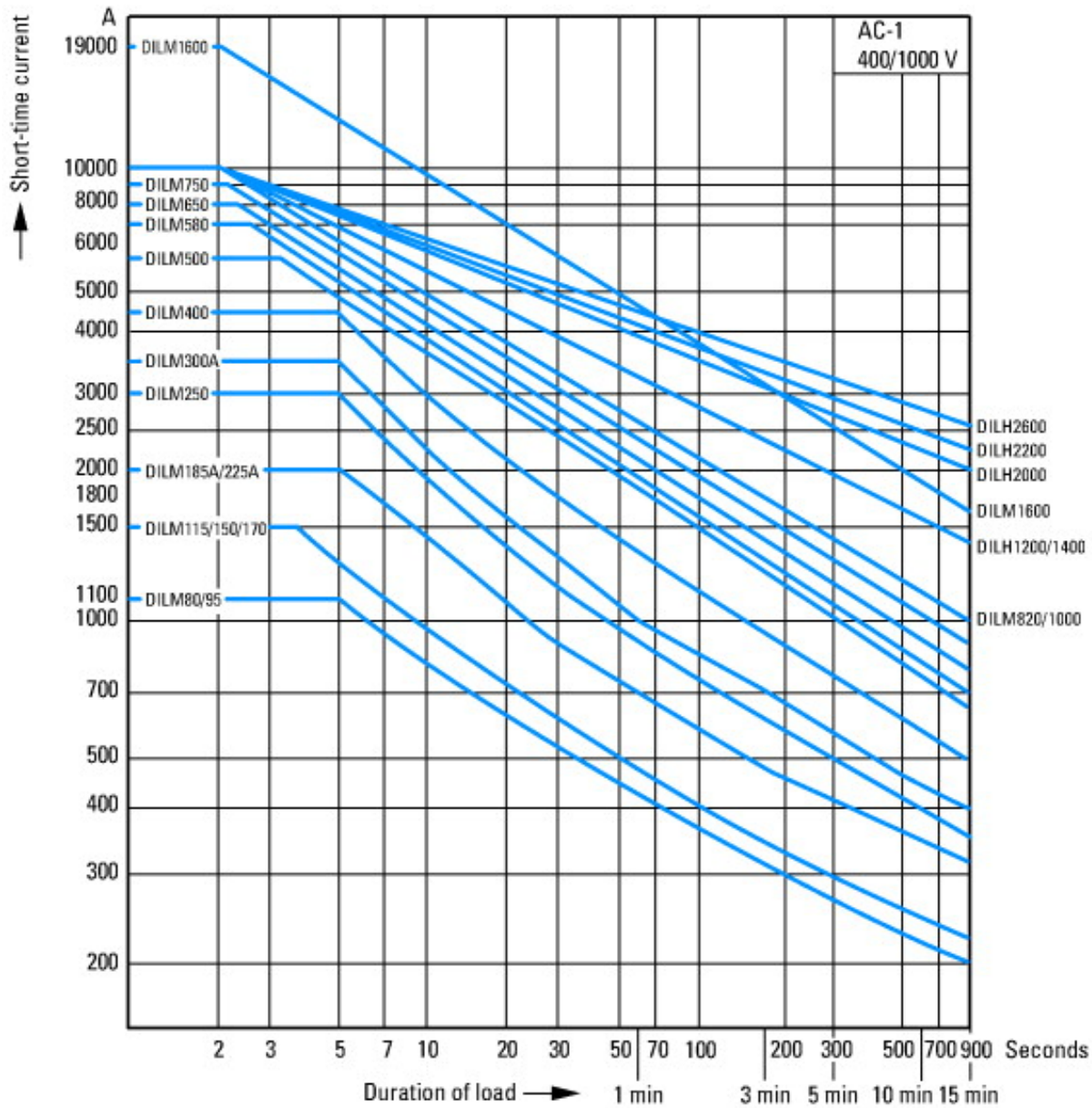
- Normal switching duty
- Normal AC induction motor
- Operating characteristics
- Switch on: from stop
- Switch off: during run
- Electrical characteristics:
- Switch on: up to 6 x Rated motor current
- Switch off: up to 1 x Rated motor current
- Utility category
- 100 % AC-3
- Typical Applications
- Compressors
- Lifts
- Mixers
- Pumps
- Escalators
- Agitators
- fan
- Conveyor belts
- Centrifuges
- Hinged flaps
- Bucket-elevator
- Air-conditioning systems
- General drives for manufacturing and processing machines



Extreme switching duty  
 Squirrel-cage motor  
 Operating characteristics  
 Inching, plugging, reversing  
 Electrical characteristics  
 Make: up to 6 x rated motor current  
 Break: up to 6 x rated motor current  
 Utilization category  
 100 % AC-4  
 Typical applications  
 Printing presses  
 Wire-drawing machines  
 Centrifuges  
 Special drives for manufacturing and processing machines

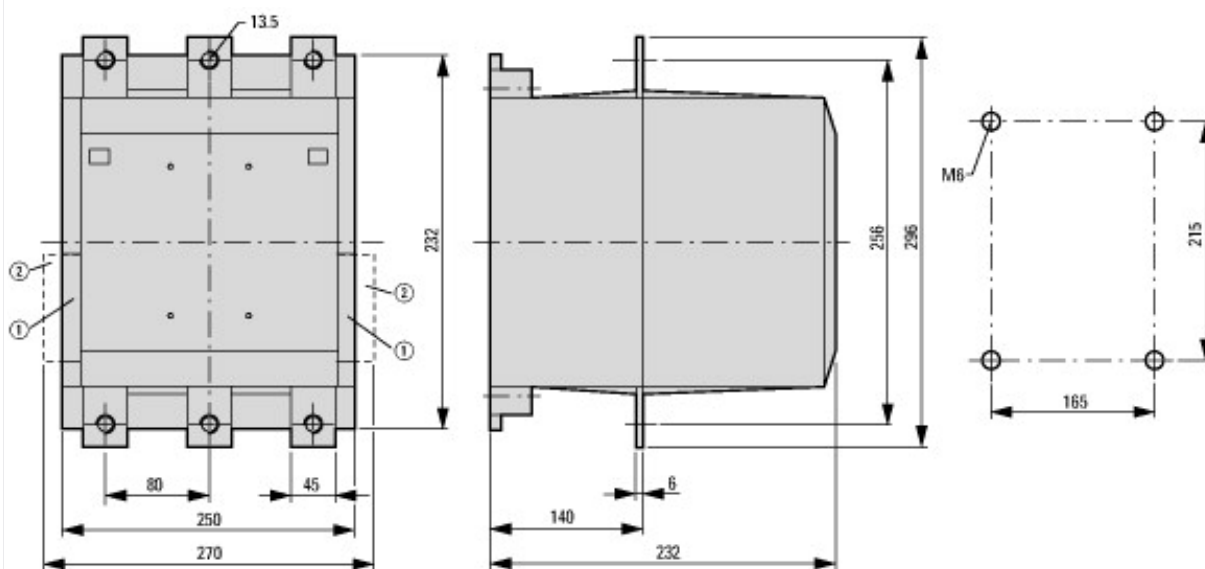


Switching conditions for 3 pole, non-motor loads  
 Operating characteristics  
 Non inductive and slightly inductive loads  
 Electrical characteristics  
 Switch on: 1 x rated operational current  
 Switch off: 1 x rated operational current  
 Utilization category  
 100 % AC-1  
 Typical examples of application  
 Electric heat



Short-time loading, 3-pole  
Time interval between two loading cycles: 15 minutes

## Dimensions



- ① DILM820-XHI11(V)-SI
- ② DILM820-XHI11-SA

## Additional product information (links)

### IL03407023Z (AWA2100-1697) Contactors >170 A

IL03407023Z (AWA2100-1697) Contactors >170 A [ftp://ftp.moeller.net/DOCUMENTATION/AWA\\_INSTRUCTIONS/IL03407023Z2011\\_11.pdf](ftp://ftp.moeller.net/DOCUMENTATION/AWA_INSTRUCTIONS/IL03407023Z2011_11.pdf)

UL/CSA: Approved rating data <http://de.ecat.moeller.net/flip-cat/?edition=HPLTE&startpage=5.84>

UL/CSA: UL/CSA: Short Circuit Current Rating (SCCR) <http://de.ecat.moeller.net/flip-cat/?edition=HPLTE&startpage=5.86>

Switchgear of Power Factor Correction Systems [http://www.moeller.net/binary/ver\\_techpapers/ver934en.pdf](http://www.moeller.net/binary/ver_techpapers/ver934en.pdf)

X-Start - Modern Switching Installations Efficiently Fitted and Wired Securely [http://www.moeller.net/binary/ver\\_techpapers/ver938en.pdf](http://www.moeller.net/binary/ver_techpapers/ver938en.pdf)

Mirror Contacts for Highly-Reliable Information Relating to Safety-Related Control Functions [http://www.moeller.net/binary/ver\\_techpapers/ver944en.pdf](http://www.moeller.net/binary/ver_techpapers/ver944en.pdf)

Effect of the Cable Capacitance of Long Control Cables on the Actuation of Contactors [http://www.moeller.net/binary/ver\\_techpapers/ver949en.pdf](http://www.moeller.net/binary/ver_techpapers/ver949en.pdf)

Motor starters and "Special Purpose Ratings" for the North American market [http://www.moeller.net/binary/ver\\_techpapers/ver953en.pdf](http://www.moeller.net/binary/ver_techpapers/ver953en.pdf)

Switchgear for Luminaires [http://www.moeller.net/binary/ver\\_techpapers/ver955en.pdf](http://www.moeller.net/binary/ver_techpapers/ver955en.pdf)

Standard Compliant and Functionally Safe Engineering Design with Mechanical Auxiliary Contacts [http://www.moeller.net/binary/ver\\_techpapers/ver956en.pdf](http://www.moeller.net/binary/ver_techpapers/ver956en.pdf)

The Interaction of Contactors with PLCs [http://www.moeller.net/binary/ver\\_techpapers/ver957en.pdf](http://www.moeller.net/binary/ver_techpapers/ver957en.pdf)

Busbar Component Adapters for modern Industrial control panels [http://www.moeller.net/binary/ver\\_techpapers/ver960en.pdf](http://www.moeller.net/binary/ver_techpapers/ver960en.pdf)