

Gemini Junior LED



Gemini Junior LED is a competitively priced, easy to install LED twinspace, combines flexibility and ease of installation, suitable for a wide variety of installations, and is an excellent choice for factory and high ceiling applications. Lamp heads have a multi-directional swivel and tilt facility ensuring that exactly the right aiming angle is achieved.

Internal components are easily accessed via the hinged front cover, allowing for easy installation and maintenance.

- Competitive LED beam projector unit to suit most budgets
- Exceptional performance
- Can be used for high risk task area applications
- NiCd batteries for reduced weight and carry handle for ease of install
- 20mm knock out on both sides for cable entry
- Multi-direction lamp heads for application flexibility
- Twin indicator LEDs covering individual lamp failure, in addition to main and changing status

Lamp Options

- 2 x 3 off 3W LED Pcs (2 x 9W)



Materials

- Body - sheet steel, powder coated
- Lamp heads - polycarbonate, Ingress Protection: IP20 rating
- Batteries – Ni-Cd battery cells, 9.6V 2500mAh

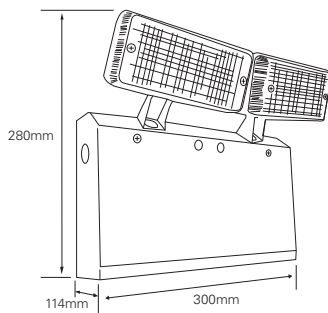
Installation Notes

- Suitable for wall mounting
- Cable entry on both sides
- Direct screw fixed with keyhole slots
- Lamp heads swivel and tilt, locked in position by screws

Specification

To specify state: Beam projector, 3 hour duration self-contained emergency luminaire, with steel enclosure and removable front access door, wall mounting, multi-directional swivel and turn polycarbonate lamp heads, with 2 x 9W high intensity LED heads and twin LED indicators, as Gemini Junior LED range , part no. _____

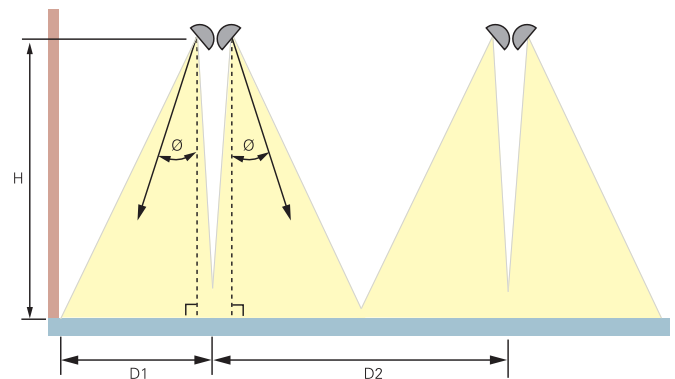
Dimensions



Catalogue Numbers

Description	Cat No	Weight (kg)
Gemini Junior LED twin spot	GMRJLNM	2.1

Photometric Data



Mounting height - H (m)	Aiming angle - θ	Spacing luminaire to wall - D1 (m)	Spacing between luminaires - D2 (m)
4	45°	7	17
6	40°	8	19.5
8	30°	7.5	18.5
10	25°	7.5	19
12	20°	7.5	18.5
14	20°	8	20
16	15°	6.5	18.5
18	15°	6	19
20	10°	4.5	16.6