

# 2.6

## Indoor emergency lighting

Halo-Pack 2

2



- Suitable for both solid and exposed grid ceilings as the gear pod fits through the head unit installation aperture
- Adapter plate for retrofit and shallow ceiling applications
- 3 year warranty for peace of mind
- Up to 50.000 hour life LED for reduced maintenance
- Low power consumption reducing cost of ownership
- Environmentally friendly NiMH battery

### Light Source:

1 x high power 3W white LED

### Materials:

Luminaire head, remote gear and adaptor plate - polycarbonate and ABS blend

Battery - NiMH

### Installation:

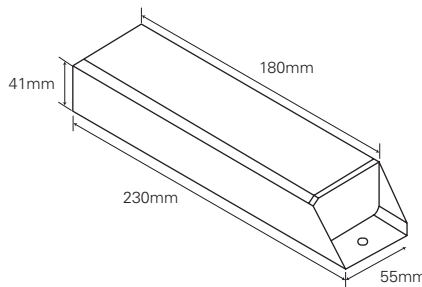
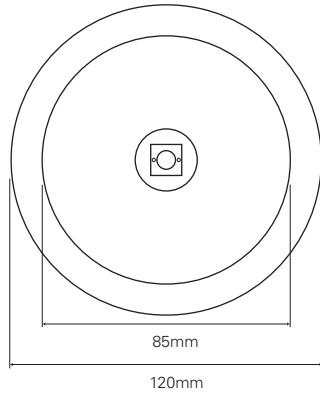
Flush mounting

Spring retaining clips for surface installation (install from below ceiling)

Plug and play socket for mains supply

No disassembly required during installation

Halo-Pack 2 combines the latest in LED technology with an ultra-low profile, providing emergency lighting where aesthetics and reliability are of prime importance. Installation into an existing ceiling is fast and simple to complete.



### Operation:

Non-Maintained operation

### Applications:

All recessed indoor applications



For retrofit and/or shallow ceiling applications an optional adapter plate is provided as standard

Model	Height (m)	Lux level directly under	Escape route 2m wide, 1 Lux min				Open (anti-panic) area 0,5 Lux min				
<b>HPLED3H</b>											
	02,50	05,32	03,20	08,70	03,20	08,70	03,60	09,70	03,60	09,70	
	02,80	05,00	03,30	09,00	03,30	09,00	03,70	10,00	03,70	10,00	
	03,00	04,36	03,30	09,10	03,30	09,10	03,80	10,20	03,80	10,20	
	04,00	02,40	03,10	09,30	03,10	09,30	03,90	11,30	03,90	11,30	
	05,00	01,08	01,09	08,50	01,00	08,50	03,60	12,50	03,60	12,50	

Order code

Description



HPLED3H

Halo Pack 2

1 x 3W LED

30 Lm

180°

4,8V - 2Ah NiCd

Non-Maintained