



OPTIMA SERIES

Industrial plugs IP44/54



■ BEHAVIOUR WITH CHEMICAL AND ATMOSPHERIC AGENTS

Saline solution	Acids		Bases		Solvents				Mineral oil	UV rays
	Concentrated	Diluted	Concentrated	Diluted	Hexane	Benzol	Acetone	Alcohol		
Resistant	Limited Resistance	Resistant	Resistant	Resistant	Not Resistant	Not Resistant	Not Resistant	Limited Resistance	Resistant	Limited Resistance

For specific substances please contact our technical service.

■ WIRING AND INSTALLATION

Wiring capacity of the terminals (mm²)

Max. cable size accepted by the cable clamp:

Rated voltage	Rated current (A)	Plugs, connectors and appliance inlets		Socket outlets	
		Min	Max	Min	Max
Over 50V	16A	1	2,5	1,5	4
	32A	2,5	6	2,5	10
	63A	6	16	6	25
	125A	16	50	25	70

Rated current (A)	Outside Ø mm	
	Min	Max
16A	8	15
32A	11,5	21
63A	17	31
125A	26	48

■ APPLICATION EXAMPLES



Industrial plugs and sockets

PLUGS



IP44



Poles	Hz.	Volt	Colour	h.	16A		32A		63A	
2P+E	50/60	100-130		4	213.1630 (Δ)	213.3230			213.6330	
	50/60	200-250		6	213.1633 (▲) (Δ)	213.3233 (▲)			213.6333 (▲)	
	50/60	380-415		9	213.1638	213.3238			213.6338	
	50/60	480-500		7	213.16336	213.32336			213.63336	
	50/60	trasf.		12	213.16333	213.32333			213.63333	
	>300-500	>50		2	213.16332	213.32332			213.63332	
	c.c.	>50-250		3	213.16334	213.32334			213.63334	
	c.c.	>250		8	213.16338	213.32338			213.63338	
3P+E	50/60	100-130		4	213.1631	213.3231			213.6331	
	50/60	200-250		9	213.1634	213.3234			213.6334	
	50/60	380-415		6	213.1636 (▲) (•)	213.3236 (▲) (•)			213.6336 (▲)	
	60	440-460		11	213.16365	213.32365			213.63365	
	50/60	480-500		7	213.16366	213.32366			213.63366	
	50/60	600-690		5	213.16367	213.32367			213.63367	
	50 60	380 440		3	213.16364	213.32364			213.63364	
	100-300	>50		10	213.16361	213.32361			213.63361	
>300-500	>50		2	213.16362	213.32362			213.63362		
3P+N+E	50/60	100-130		4	213.1632	213.3232			213.6332	
	50/60	208-250		9	213.1635	213.3235			213.6335	
	50/60	346-415		6	213.1637 (▲) (•)	213.3237 (▲) (•)			213.6337 (▲)	
	50/60	480-500		7	213.16376	213.32376			213.63376	
	50/60	600-690		5	213.16377	213.32377			213.63377	
	60	440-460		11	213.16375	213.32375			213.63375	
	50 60	380 440		3	213.16374	213.32374			213.63374	
	>300-500	>50		2	213.16372	213.32372			213.63372	

Package/Bulk Pack.



= Screw terminals

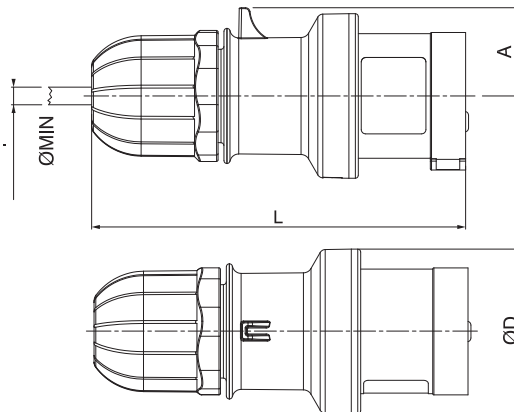


= Mantle terminals

OPTIMA Series

DIMENSIONS

PLUGS IP44/54 16A-32A-63A



IP44		A	Ø D	L Min	Ø Min
16A	2P+E	30	56	128	6
	3P+E	34	60	135	6
32A	3P+N+E	38	65	153	9
	2P+E	40	65	162	9
	3P+E	40	65	162	9
63A	3P+N+E	45	73	176	13
	2P+E	50	102	220	17
	3P+E	50	102	220	17
	3P+N+E	50	102	220	17



www.filippidisandsons.gr