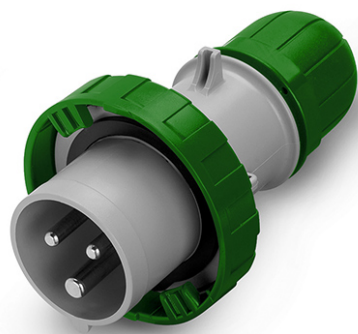
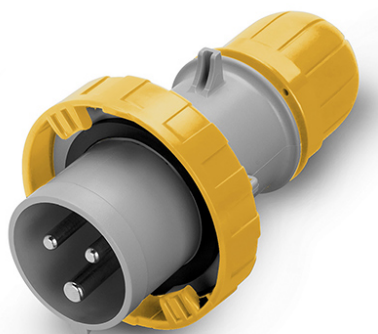




OPTIMA SERIES

Industrial plugs IP66/67



■ BEHAVIOUR WITH CHEMICAL AND ATMOSPHERIC AGENTS

Saline solution	Acids		Bases		Solvents				Mineral oil	UV rays
	Concentrated	Diluted	Concentrated	Diluted	Hexane	Benzol	Acetone	Alcohol		
Resistant	Limited Resistance	Resistant	Resistant	Resistant	Not Resistant	Not Resistant	Not Resistant	Limited Resistance	Resistant	Limited Resistance

For specific substances please contact our technical service.

■ WIRING AND INSTALLATION

Wiring capacity of the terminals (mm²)

Max. cable size accepted by the cable clamp:

Rated voltage	Rated current (A)	Plugs, connectors and appliance inlets		Socket outlets	
		Min	Max	Min	Max
Over 50V	16A	1	2,5	1,5	4
	32A	2,5	6	2,5	10
	63A	6	16	6	25
	125A	16	50	25	70

Rated current (A)	Outside Ø mm	
	Min	Max
16A	8	15
32A	11,5	21
63A	17	31
125A	26	48

■ APPLICATION EXAMPLES



Industrial plugs and sockets

PLUGS IP66/67



IP66/67

Poles	Hz.	Volt	Colour	h.	16A		32A		63A		125A	
					cable gland □10/40	cable gland □10/40	cable gland □6/24	cable gland □1/8				
2P+E	50/60	100-130	Yellow	4	218.1630 (Δ)	218.3230	218.6330	218.12530				
	50/60	200-250	Blue	6	218.1633 (Δ)(Δ)	218.3233 (Δ)	218.6333 (Δ)	218.12533 (Δ)				
	50/60	380-415	Red	9	218.1638	218.3238	218.6338	218.12538				
	50/60	480-500	Black	7	218.16336	218.32336	218.63336	218.125336				
	50/60	trasf.	Grey	12	218.16333	218.32333	218.63333	218.125333				
	>300-500	>50	Green	2	218.16332	218.32332	218.63332	218.125332				
	c.c.	>50-250	Grey	3	218.16334	218.32334	218.63334					
	c.c.	>250	Grey	8	218.16338	218.32338	218.63338					
3P+E	50/60	100-130	Yellow	4	218.1631	218.3231	218.6331	218.12531				
	50/60	200-250	Blue	9	218.1634	218.3234	218.6334	218.12534				
	50/60	380-415	Red	6	218.1636 (Δ)(*)	218.3236 (Δ)(*)	218.6336 (Δ)	218.12536 (Δ)				
	60	440-460	Red	11	218.16365	218.32365	218.63365	218.125365				
	50/60	480-500	Black	7	218.16366	218.32366	218.63366	218.125366				
	50/60	600-690	Black	5	218.16367	218.32367	218.63367	218.125367				
	50/60	380/440	Red	3	218.16364	218.32364	218.63364	218.125364				
	100-300	>50	Green	10	218.16361	218.32361	218.63361	218.125361				
>300-500	>50	Green	2	218.16362	218.32362	218.63362	218.125362					
3P+N+E	50/60	100-130	Yellow	4	218.1632	218.3232	218.6332	218.12532				
	50/60	208-250	Blue	9	218.1635	218.3235	218.6335	218.12535				
	50/60	346-415	Red	6	218.1637 (Δ)(*)	218.3237 (Δ)(*)	218.6337 (Δ)	218.12537 (Δ)				
	50/60	480-500	Black	7	218.16376	218.32376	218.63376	218.125376				
	50/60	600-690	Black	5	218.16377	218.32377	218.63377	218.125377				
	60	440-460	Red	11	218.16375	218.32375	218.63375	218.125375				
	50/60	380/440	Red	3	218.16374	218.32374	218.63374	218.125374				
	>300-500	>50	Green	2	218.16372	218.32372	218.63372	218.125372				



= Screw terminals



= Mantle terminals



(Δ) Black-coloured

Versions also available in black; just add ".K" at the end of the catalogue number. Example 213.1633.K



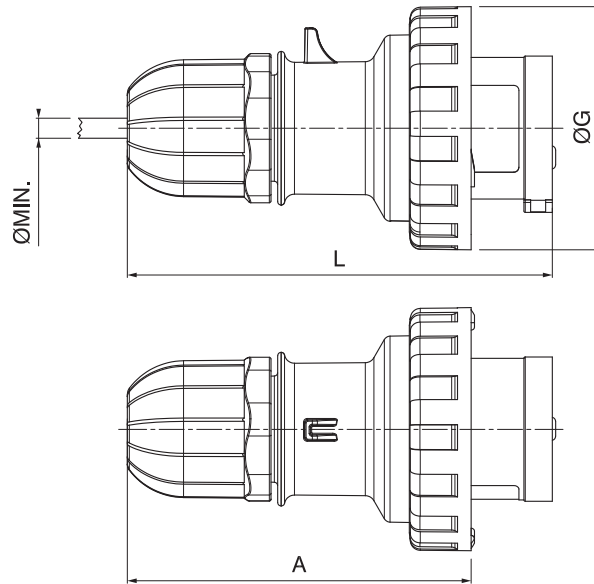
(Δ) Transparent grip

Version also available with transparent grip; just add ".TR" at the end of the catalogue number. Example 213.1633.TR

OPTIMA Series

DIMENSIONS

PLUGS 16-32-63-125A IP66/67



IP66/IP67		A	Ø G	L Min	Ø Min
16A	2P+E	103	73	128	6
	3P+E	110	81	135	6
	3P+N+E	129	88	153	9
32A	2P+E	131	93	162	9
	3P+E	131	93	162	9
	3P+N+E	145	101	176	13
63A	2P+E	160	112	220	17
	3P+E	160	112	220	17
	3P+N+E	160	112	220	17
125A	2P+E	202	128	272	26
	3P+E	202	128	272	26
	3P+N+E	202	128	272	26

(Dimension in mm)



www.filippidisandsons.gr