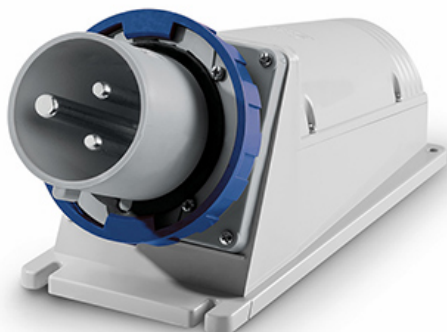
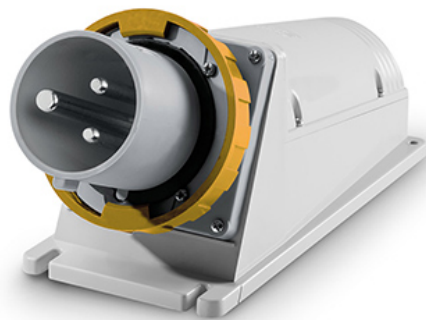




OPTIMA SERIES

Industrial Appliance inlets



■ BEHAVIOUR WITH CHEMICAL AND ATMOSPHERIC AGENTS

Saline solution	Acids		Bases		Solvents				Mineral oil	UV rays
	Concentrated	Diluted	Concentrated	Diluted	Hexane	Benzol	Acetone	Alcohol		
Resistant	Limited Resistance	Resistant	Resistant	Resistant	Not Resistant	Not Resistant	Not Resistant	Limited Resistance	Resistant	Limited Resistance

For specific substances please contact our technical service.

■ WIRING AND INSTALLATION

Wiring capacity of the terminals (mm²)

Max. cable size accepted by the cable clamp:

Rated voltage	Rated current (A)	Plugs, connectors and appliance inlets		Socket outlets	
		Min	Max	Min	Max
Over 50V	16A	1	2,5	1,5	4
	32A	2,5	6	2,5	10
	63A	6	16	6	25
	125A	16	50	25	70

Rated current (A)	Outside Ø mm	
	Min	Max
16A	8	15
32A	11,5	21
63A	17	31
125A	26	48

■ APPLICATION EXAMPLES



Industrial plugs and sockets

■ SURFACE MOUNTING APPLIANCE INLETS IP67



METRIC ENTRY

Poles	Hz.	Volt	Colour	h.	63A (♦)	125A (♦)
					M32 □ 3/12	M63 □ 1/8
2P+E	50/60	100-130		4	245.M6390	245.M12590
	50/60	200-250		6	245.M6393	245.M12593
	50/60	380-415		9	245.M6394	245.M12594
	50/60	480-500		7		
	50/60	trasf.		12		
	>300-500	>50		2		
	c.c.	>50-250		3		
	c.c.	>250		8		
3P+E	50/60	100-130		4	245.M6391	245.M12591
	50/60	200-250		9	245.M6392	245.M12592
	50/60	380-415		6	245.M6396	245.M12596
	60	440-460		11		
	50/60	480-500		7		
	50/60	600-690		5		
	50 60	380 440		3		
	100-300	>50		10		
>300-500	>50		2			
3P+N+E	50/60	100-130		4	245.M6395	245.M12595
	50/60	208-250		9	245.M6397	245.M12597
	50/60	346-415		6	245.M6398	245.M12598
	50/60	480-500		7		
	50/60	600-690		5		
	60	440-460		11		
	50 60	380 440		3		
	>300-500	>50		2		

□ Package/Bulk Pack.

(♦) 3P+N+E= □ 10/40



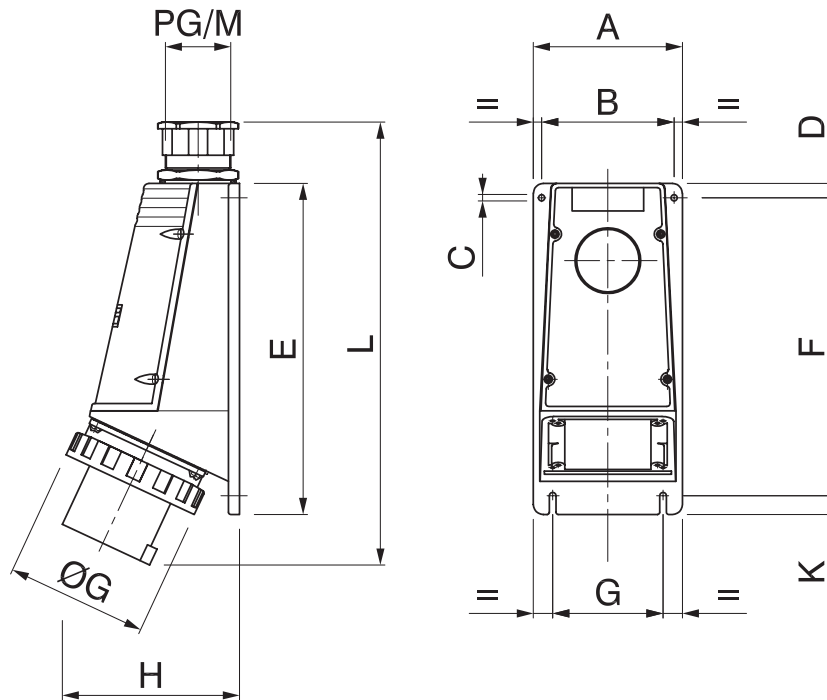
= Screw terminals



= Mantle terminals

(♦) Cable gland provided

SURFACE MOUNTING APPLIANCE INLETS 63-125A



<u>IP66/IP67</u>		A	B	ØC	ØD	E	F	ØG	H	I
63A	2P+E	85	80	79	4.5	110	100	112	88.5	44.5
	3P+E	85	80	79	4.5	110	100	112	88.5	44.5
	3P+N+E	80	85	79	4.5	110	100	112	88.5	44.5
125A	2P+E	100	100	90	6	114	114	128.5	97	53.5
	3P+E	100	100	90	6	114	114	128.5	97	53.5
	3P+N+E	100	100	90	6	114	114	128.5	97	53.5

(Dimension in mm)


www.filippidisandsons.gr