



OPTIMA SERIES

Industrial Connectors IP44/54



■ BEHAVIOUR WITH CHEMICAL AND ATMOSPHERIC AGENTS

Saline solution	Acids		Bases		Solvents				Mineral oil	UV rays
	Concentrated	Diluted	Concentrated	Diluted	Hexane	Benzol	Acetone	Alcohol		
Resistant	Limited Resistance	Resistant	Resistant	Resistant	Not Resistant	Not Resistant	Not Resistant	Limited Resistance	Resistant	Limited Resistance

For specific substances please contact our technical service.

■ WIRING AND INSTALLATION

Wiring capacity of the terminals (mm²)

Max. cable size accepted by the cable clamp:

Rated voltage	Rated current (A)	Plugs, connectors and appliance inlets		Socket outlets	
		Min	Max	Min	Max
Over 50V	16A	1	2,5	1,5	4
	32A	2,5	6	2,5	10
	63A	6	16	6	25
	125A	16	50	25	70

Rated current (A)	Outside Ø mm	
	Min	Max
16A	8	15
32A	11,5	21
63A	17	31
125A	26	48

■ APPLICATION EXAMPLES



Industrial plugs and sockets

CONNECTORS IP44



IP44



16A

32A

63A

Poles	Hz.	Volt	Colour	h.	16A	32A	63A
2P+E	50/60	100-130		4	313.1640 (Δ)	313.3240	313.6340
	50/60	200-250		6	313.1643 (▲)(Δ)	313.3243 (▲)	313.6343 (▲)
	50/60	380-415		9	313.1648	313.3248	313.6348
	50/60	480-500		7	313.16436	313.32436	313.63436
	50/60	trasf.		12	313.16433	313.32433	313.63433
	>300-500	>50		2	313.16432	313.32432	313.63432
	c.c.	>50-250		3	313.16434	313.32434	313.63434
	c.c.	>250		8	313.16438	313.32438	313.63438
3P+E	50/60	100-130		4	313.1641	313.3241	313.6341
	50/60	200-250		9	313.1644	313.3244	313.6344
	50/60	380-415		6	313.1646 (▲)	313.3246 (▲)	313.6346 (▲)
	60	440-460		11	313.16465	313.32465	313.63465
	50/60	480-500		7	313.16466	313.32466	313.63466
	50/60	600-690		5	313.16467	313.32467	313.63467
	50/60	380/440		3	313.16464	313.32464	313.63464
	100-300	>50		10	313.16461	313.32461	313.63461
>300-500	>50		2	313.16462	313.32462	313.63462	
3P+N+E	50/60	100-130		4	313.1642	313.3242	313.6342
	50/60	208-250		9	313.1645	313.3245	313.6345
	50/60	346-415		6	313.1647 (▲)	313.3247 (▲)	313.6347 (▲)
	50/60	480-500		7	313.16476	313.32476	313.63476
	50/60	600-690		5	313.16477	313.32477	313.63477
	60	440-460		11	313.16475	313.32475	313.63475
	50/60	380/440		3	313.16474	313.32474	313.63474
	>300-500	>50		2	313.16472	313.32472	313.63472

Package/Bulk Pack.



= Screw terminals

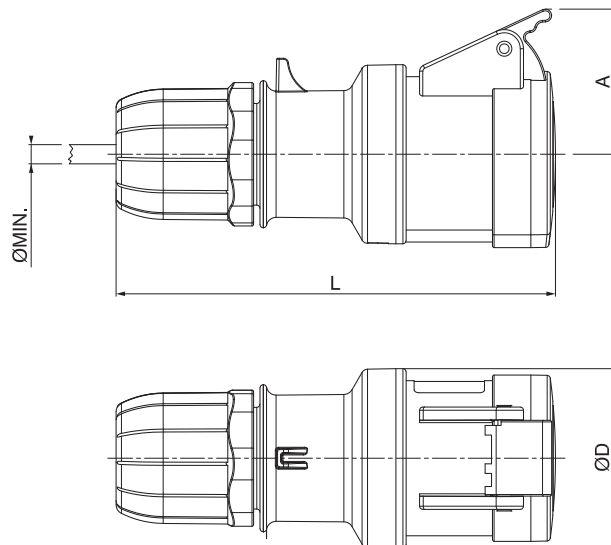


= Mantle terminals

OPTIMA Series

DIMENSIONS

CONNECTORS IP44/54 16A-32A-63A



IP44		A	Ø D	L Min	Ø Min
	2P+E	46	56	138	6
16A	3P+E	49	60	145	6
	3P+N+E	54	65	165	9
32A	2P+E	54	65	175	9
	3P+E	54	65	175	9
	3P+N+E	59	73	190	13



www.filippidisandsons.gr