



XENIA SERIES

Connectors IP44



XENIA Series

INDUSTRIAL PLUGS AND SOCKETS



REFERENCE STANDARDS

EN 60309-1

Plugs, socket-outlets and couples for industrial purposes.
Part 1: general requirements.

EN 60309-2

Plugs, socket-outlets and couples for industrial purposes.
Part 2: dimensional interchangeability requirements for pin and contact-tube accessories.

QUALITY MARKS



VERSIONS



TECHNICAL CHARACTERISTICS

Rated current:	16A-32A
Rated voltage:	110-130V 200-250V 380-415V
Frequency:	50/60Hz
Insulation voltage:	500V
Protection degree:	IP44
Operating temperature according to the reference standard:	-25°C +40°C
Glow wire test:	850°C contacts carrier 650°C handle
IK degree:	IK07
Material:	Engineering plastic

WIRING AND INSTALLATION

Wiring capacity of the terminals

Cross-section of connectable conductors (mm²)

Rated voltage	Rated current (A)	Plugs and connectors		Sockets outlet	
		Min	Max	Min	Max
>50V	16A	1,5	2,5	1,5	4
	32A	2,5	6	2,5	10

Max. cable size accepted by the cable clamp

Rated current (A)	Outside Ø mm	
	Min	Max
16A	8	15
32A	11,5	21

BEHAVIOUR WITH CHEMICAL AND ATMOSPHERIC AGENTS

Saline solution	Acids		Bases		Solvents				Mineral oil	UV rays
	Concentrated	Diluted	Concentrated	Diluted	Hexane	Benzol	Acetone	Alcohol		
Resistant	Not Resistant	Limited Resistance	Limited Resistance	Resistant	Resistant	Resistant	Resistant	Resistant	Resistant	Resistant

For specific substances please contact our technical service.

■ Connectors - IP44

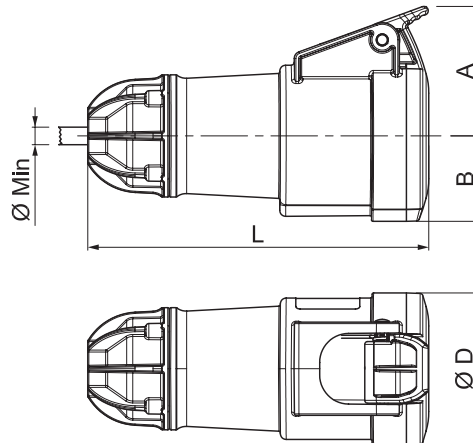


Screw terminals

CONNECTOR
IP44
CABLE GLAND

Poles	Hz	Volt	Colour	h	16A		32A	
					Part No.	Ø	Part No.	Ø
2P+E	50Hz 60Hz	100-130V		4h	314.1640	40	314.3240	20
		200-250V			314.1643	40	314.3243	20
380-415V			6h	314.1646	30	314.3246	20	
346-415V			314.1647	25	314.3247	15		

■ DIMENSIONS



		A	B	ØD	L Min	Ø	
						Min	Max
16A	2P+E	44,5	29,35	52,1	117,2	7,5	12,6
	3P+E	47,5	32,8	58,2	125,7	8,2	13,8
	3P+N+E	52,5	39,25	66,5	132,7	9,2	15,2
32A	2P+E	52,5	39,25	66,5	145,7	11	16,1
	3P+E	52,5	39,25	66,5	145,7	12,3	17,9
	3P+N+E	56,5	42,8	72,6	154,7	13,6	19,9

(Dimensions in mm)

