



# OPTIMA SERIES

Industrial Connectors IP67



## ■ BEHAVIOUR WITH CHEMICAL AND ATMOSPHERIC AGENTS

Saline solution	Acids		Bases		Solvents				Mineral oil	UV rays
	Concentrated	Diluted	Concentrated	Diluted	Hexane	Benzol	Acetone	Alcohol		
Resistant	Limited Resistance	Resistant	Resistant	Resistant	Not Resistant	Not Resistant	Not Resistant	Limited Resistance	Resistant	Limited Resistance

For specific substances please contact our technical service.

## ■ WIRING AND INSTALLATION

Wiring capacity of the terminals (mm<sup>2</sup>)

Max. cable size accepted by the cable clamp:

Rated voltage	Rated current (A)	Plugs, connectors and appliance inlets		Socket outlets	
		Min	Max	Min	Max
Over 50V	16A	1	2,5	1,5	4
	32A	2,5	6	2,5	10
	63A	6	16	6	25
	125A	16	50	25	70

Rated current (A)	Outside Ø mm	
	Min	Max
16A	8	15
32A	11,5	21
63A	17	31
125A	26	48



## ■ APPLICATION EXAMPLES



# Industrial plugs and sockets

## CONNECTORS IP67



Poles	Hz.	Volt	Colour	h.				
					16A cable gland □ 10/40	32A cable gland □ 10/40	63A cable gland □ 6/24	125A cable gland □ 1/8
2P+E	50/60	100-130		4	318.1640 (Δ)	318.3240	318.6340	318.12540
	50/60	200-250		6	318.1643 (▲)(Δ)	318.3243 (▲)	318.6343 (▲)	318.12543 (▲)
	50/60	380-415		9	318.1648	318.3248	318.6348	318.12548
	50/60	480-500		7	318.16436	318.32436	318.63436	318.125436
	50/60	trasf.		12	318.16433	318.32433	318.63433	318.125433
	>300-500	>50		2	318.16432	318.32432	318.63432	318.125432
	c.c.	>50-250		3	318.16434	318.32434	318.63434	
	c.c.	>250		8	318.16438	318.32438	318.63438	
3P+E	50/60	100-130		4	318.1641	318.3241	318.6341	318.12541
	50/60	200-250		9	318.1644	318.3244	318.6344	318.12544
	50/60	380-415		6	318.1646 (▲)	318.3246 (▲)	318.6346 (▲)	318.12546 (▲)
	60	440-460		11	318.16465	318.32465	318.63465	318.125465
	50/60	480-500		7	318.16466	318.32466	318.63466	318.125466
	50/60	600-690		5	318.16467	318.32467	318.63467	318.125467
	50 60	380 440		3	318.16464	318.32464	318.63464	318.125464
	100-300	>50		10	318.16461	318.32461	318.63461	318.125461
>300-500	>50		2	318.16462	318.32462	318.63462	318.125462	
3P+N+E	50/60	100-130		4	318.1642	318.3242	318.6342	318.12542
	50/60	208-250		9	318.1645	318.3245	318.6345	318.12545
	50/60	346-415		6	318.1647 (▲)	318.3247 (▲)	318.6347 (▲)	318.12547 (▲)
	50/60	480-500		7	318.16476	318.32476	318.63476	318.125476
	50/60	600-690		5	318.16477	318.32477	318.63477	318.125477
	60	440-460		11	318.16475	318.32475	318.63475	318.125475
	50 60	380 440		3	318.16474	318.32474	318.63474	318.125474
	>300-500	>50		2	318.16472	318.32472	318.63472	318.125472

□ Package/Bulk Pack.

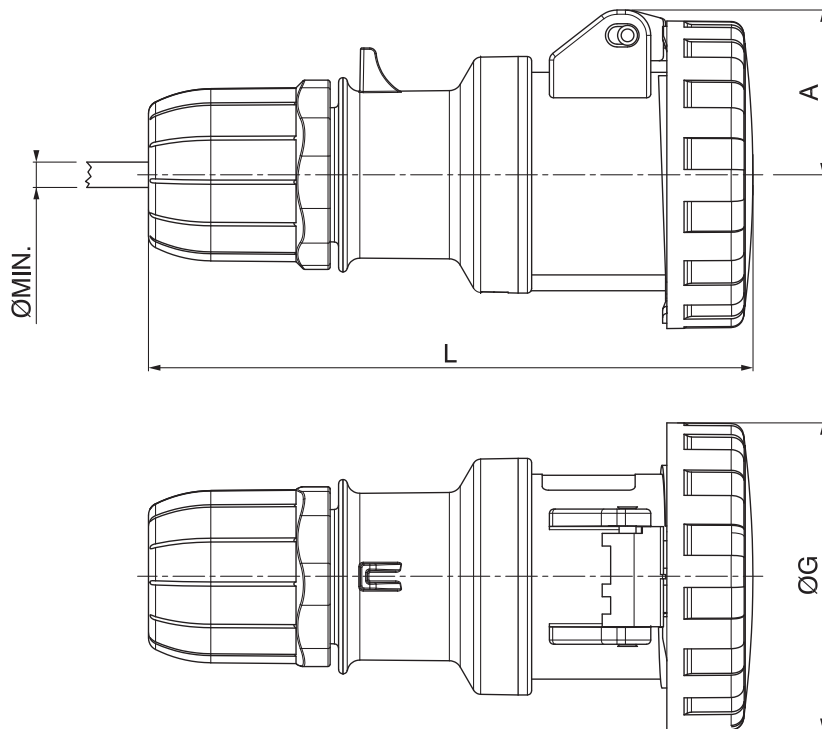
 = Screw terminals

 = Mantle terminals

# OPTIMA Series

## DIMENSIONS

### CONNECTORS IP67 16A-32A-63A-125A



<u>IP66/IP67</u>		A	Ø G	L Min	Ø Min
16A	2P+E	39	73	141	6
	3P+E	43	81	148	6
	3P+N+E	51	88	168	9
32A	2P+E	56	93	178	9
	3P+E	56	93	178	9
	3P+N+E	52	101	195	13
63A		57,5	112	230	17
125A		64,25	128	288	26



[www.filippidisandsons.gr](http://www.filippidisandsons.gr)