

Connectors IP44/54

EUREKA Series

321.



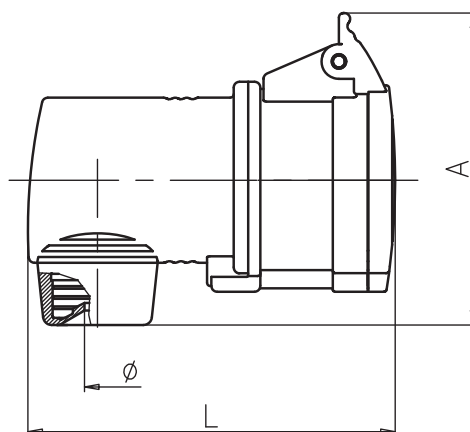
Screw terminals
[Angled outlet]

connector	
IP44	
CABLE SLEEVE	
16A	32A
321.1640	321.3240
321.1643	321.3243
321.1646	321.3246
321.1647	321.3247

Poles	Hz	Volt	Colour	h
2P+E	50Hz 60Hz	100-130V		4h
		200-250V		6h
3P+E		380-415V		
3P+N+E		346-415V		

DIMENSIONS

CONNECTORS - ANGLED - IP44



		A	L	ØMin.
16A	2P+E	89	117	7
	3P+E	95	122	7
	3P+N+E	108	127	9
32A	2P+E	110	146	9
	3P+E	110	146	9
	3P+N+E	120	152	10

(Dimensions in mm)

