

Connectors IP67

EUREKA Series

326.



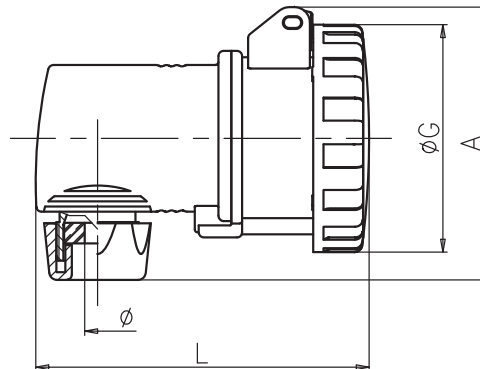
Screw terminals  
[Angled outlet]

CONNECTOR	
IP66/IP67	
CABLE GLAND	

Poles	Hz	Volt	Colour	h	16A		32A	
2P+E	50Hz 60Hz	100-130V		4h	<b>326.1640</b>	10/100	<b>326.3240</b>	10/40
		200-250V		6h	<b>326.1643</b>	10/100	<b>326.3243</b>	10/40
380-415V			3h	<b>326.1646</b>	10/100	<b>326.3246</b>	10/40	
380V 50Hz / 440V 60Hz			6h	<b>326.1647</b>	10/50	<b>326.3247</b>	10/40	
3P+N+E		346-415V						

DIMENSIONS

CONNECTORS - ANGLED - IP67



		A	L	ØG	ØMin.
16A	2P+E	78	120	73	8
	3P+E	86	125	81	8
	3P+N+E	106	130	88	10
32A	2P+E	106	150	93	10
	3P+E	106	150	93	10
	3P+N+E	107	155	101	14

(Dimensions in mm)

