



OPTIMA SERIES

FLUSH MOUNTING SOCKETS OUTLETS IP44



■ BEHAVIOUR WITH CHEMICAL AND ATMOSPHERIC AGENTS

Saline solution	Acids		Bases		Solvents				Mineral oil	UV rays
	Concentrated	Diluted	Concentrated	Diluted	Hexane	Benzol	Acetone	Alcohol		
Resistant	Limited Resistance	Resistant	Resistant	Resistant	Not Resistant	Not Resistant	Not Resistant	Limited Resistance	Resistant	Limited Resistance

For specific substances please contact our technical service.

■ WIRING AND INSTALLATION

Wiring capacity of the terminals (mm²)

Max. cable size accepted by the cable clamp:

Rated voltage	Rated current (A)	Plugs, connectors and appliance inlets		Socket outlets	
		Min	Max	Min	Max
Over 50V	16A	1	2,5	1,5	4
	32A	2,5	6	2,5	10
	63A	6	16	6	25
	125A	16	50	25	70

Rated current (A)	Outside Ø mm	
	Min	Max
16A	8	15
32A	11,5	21
63A	17	31
125A	26	48

■ APPLICATION EXAMPLES



Industrial plugs and sockets

■ FLUSH MOUNTING SOCKET OUTLETS - IP44



ANGLED OUTLET
STANDARD FLANGE



Poles	Hz.	Volt	Colour	h.	ANGLED OUTLET		63A
					STANDARD FLANGE	ANGLED OUTLET	
					16A	32A	
					70x87 □ 10/100	84x106 □ 10/50	100x110 □ 6/30
2P+E	50/60	100-130		4	413.1660	413.3260	413.6360
	50/60	200-250		6	413.1663 (▲)	413.3263 (▲)	413.6363 (▲)
	50/60	380-415		9	413.1668	413.3268	413.6368
	50/60	480-500		7	413.16636	413.32636	413.63636
	50/60	trasf.		12	413.16633	413.32633	413.63633
	>300-500	>50		2	413.16632	413.32632	413.63632
	c.c.	>50-250		3	413.16634	413.32634	413.63634
	c.c.	>250		8	413.16638	413.32638	413.63638
3P+E	50/60	100-130		4	413.1661	413.3261	413.6361
	50/60	200-250		9	413.1664	413.3264	413.6364
	50/60	380-415		6	413.1666 (▲)	413.3266 (▲)	413.6366 (▲)
	60	440-460		11	413.16665	413.32665	413.63665
	50/60	480-500		7	413.16666	413.32666	413.63666
	50/60	600-690		5	413.16667	413.32667	413.63667
	50/60	380/440		3	413.16664	413.32664	413.63664
	100-300	>50		10	413.16661	413.32661	413.63661
>300-500	>50		2	413.16662	413.32662	413.63662	
3P+N+E	50/60	100-130		4	413.1662	413.3262	413.6362
	50/60	208-250		9	413.1665	413.3265	413.6365
	50/60	346-415		6	413.1667 (▲)	413.3267 (▲)	413.6367 (▲)
	50/60	480-500		7	413.16676	413.32676	413.63676
	50/60	600-690		5	413.16677	413.32677	413.63677
	60	440-460		11	413.16675	413.32675	413.63675
	50/60	380/440		3	413.16674	413.32674	413.63674
>300-500	>50		2	413.16672	413.32672	413.63672	

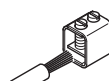
□ Package/Bulk Pack.



= Screw terminals



= Spring terminals (fast wiring)

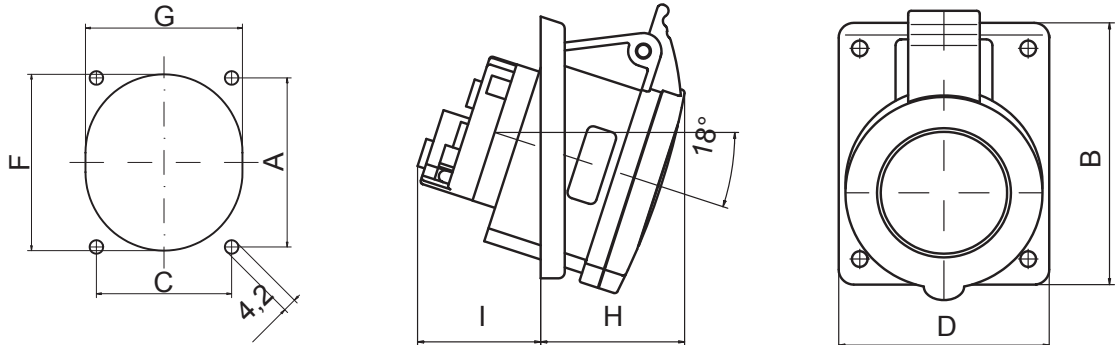


= Mantle terminals

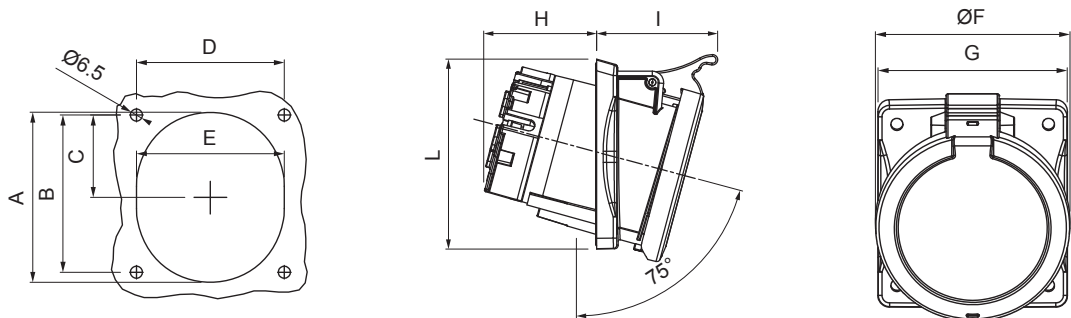
OPTIMA Series

DIMENSIONS

FLUSH MOUNTING SOCKET OUTLETS ANGLED 16-32-63A



IP44		A	B	C	D	F	G	H	I
	2P+E	70	87	56	70	73	65	45	40
16A	3P+E	70	87	56	70	73	65	46	40
	3P+N+E	70	87	56	70	73	65	48	41
32A	2P+E	90	106	68	84	87	76	52	60
	3P+E	90	106	68	84	87	76	52	60
	3P+N+E	90	106	68	84	87	76	54	61



IP44		A	B	ØC	D	ØE	F	G	H	I	L
	2P+E	92	85	44.5	80	80	102.7	100	65	70	110
63A	3P+E	92	85	44.5	80	80	102.7	100	65	70	110
	3P+N+E	92	85	44.5	80	80	102.7	100	65	70	110

