



OPTIMA SERIES

FLUSH MOUNTING SOCKETS OUTLETS IP67



■ BEHAVIOUR WITH CHEMICAL AND ATMOSPHERIC AGENTS

Saline solution	Acids		Bases		Solvents				Mineral oil	UV rays
	Concentrated	Diluted	Concentrated	Diluted	Hexane	Benzol	Acetone	Alcohol		
Resistant	Limited Resistance	Resistant	Resistant	Resistant	Not Resistant	Not Resistant	Not Resistant	Limited Resistance	Resistant	Limited Resistance

For specific substances please contact our technical service.

■ WIRING AND INSTALLATION

Wiring capacity of the terminals (mm²)

Max. cable size accepted by the cable clamp:

Rated voltage	Rated current (A)	Plugs, connectors and appliance inlets		Socket outlets	
		Min	Max	Min	Max
Over 50V	16A	1	2,5	1,5	4
	32A	2,5	6	2,5	10
	63A	6	16	6	25
	125A	16	50	25	70

Rated current (A)	Outside Ø mm	
	Min	Max
16A	8	15
32A	11,5	21
63A	17	31
125A	26	48

■ APPLICATION EXAMPLES



Industrial plugs and sockets

■ FLUSH MOUNTING SOCKET OUTLETS - IP67



ANGLED OUTLET
STANDARD FLANGE



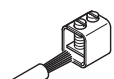
Poles	Hz.	Volt	Colour	h.	16A	32A	63A	125A
					70x87 □10/100	84x106 □10/50	100x110 □6/30	114x114 □1/10
2P+E	50/60	100-130		4	418.1660	418.3260	418.6360	418.12560
	50/60	200-250		6	418.1663 (▲)	418.3263 (▲)	418.6363	418.12563
	50/60	380-415		9	418.1668	418.3268	418.6368	418.12568
	50/60	480-500		7	418.16636	418.32636	418.63636	418.125636
	50/60	trasf.		12	418.16633	418.32633	418.63633	418.125633
	>300-500	>50N		2	418.16632	418.32632	418.63632	418.125632
	c.c.N	>50-250N		3	418.16634	418.32634	418.63634	418.125634
	c.c.N	>250N		8	418.16638	418.32638	418.63638	418.125638
3P+E	50/60	100-130		4	418.1661	418.3261	418.6361	418.12561
	50/60	200-250		9	418.1664	418.3264	418.6364	418.12564
	50/60	380-415		6	418.1666 (▲)	418.3266 (▲)	418.6366	418.12566
	60	440-460		11	418.16665	418.32665	418.63665	418.125665
	50/60	480-500		7	418.16666	418.32666	418.63666	418.125666
	50/60	600-690		5	418.16667	418.32667	418.63667	418.125667
	50 60	380 440		3	418.16664	418.32664	418.63664	418.125664
	100-300	>50		10	418.16661	418.32661	418.63661	418.125661
	>300-500	>50		2	418.16662	418.32662	418.63662	418.125662
3P+N+E	50/60	100-130		4	418.1662	418.3262	418.6362	418.12562
	50/60	208-250		9	418.1665	418.3265	418.6365	418.12565
	50/60	346-415		6	418.1667 (▲)	418.3267 (▲)	418.6367	418.12567
	50/60	480-500		7	418.16676	418.32676	418.63676	418.125676
	50/60	600-690		5	418.16677	418.32677	418.63677	418.125677
	60	440-460		11	418.16675	418.32675	418.63675	418.125675
	50 60	380 440		3	418.16674	418.32674	418.63674	418.125674
	>300-500N	>50N		2	418.16672	418.32672	418.63672	418.125672



= Screw terminals



= Spring terminals (fast wiring)

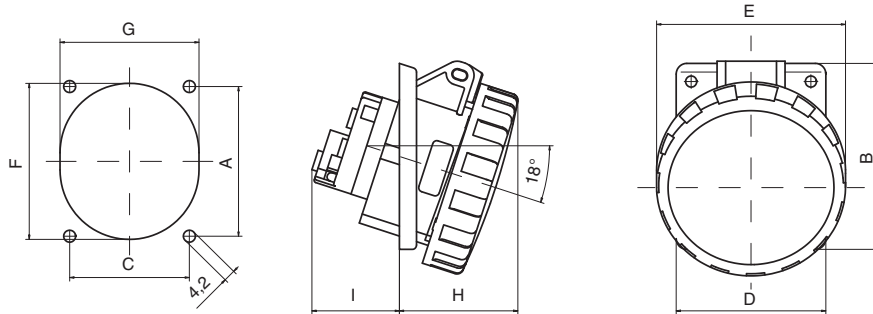


= Mantle terminals

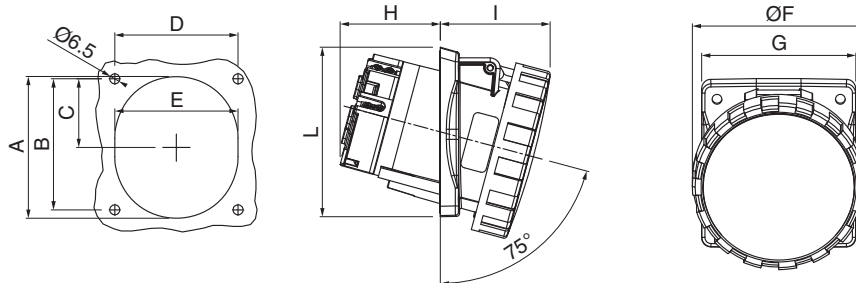
OPTIMA Series

DIMENSIONS

FLUSH MOUNTING SOCKET OUTLETS ANGLED 16-32-63-125A



IP66/IP67		A	B	C	D	E	F	G	H	I
16A	2P+E	70	87	56	70	73	73	65	52	40
	3P+E	70	87	56	70	81	73	65	54	40
	3P+N+E	70	87	56	70	88	73	65	55	41
32A	2P+E	90	106	68	84	93	87	76	61	60
	3P+E	90	106	68	84	93	87	76	61	60
	3P+N+E	90	106	68	84	101	87	76	63	61



IP66/IP67		A	B	C	D	E	ØF	G	H	I	L
63A	2P+E	92	85	44.5	80	80	112	100	65	71.2	110
	3P+E	92	85	44.5	80	80	112	100	65	71.2	110
	3P+N+E	92	85	44.5	80	80	112	100	65	71.2	110
125A	2P+E	104	90	45	90	92	128.5	114	75.4	85.7	114.5
	3P+E	104	90	45	90	92	128.5	114	75.4	85.7	114.5
	3P+N+E	104	90	45	90	92	128.5	114	75.4	85.7	114.5

