



EUREKA SERIES

FLUSH/SURFACE MOUNTING SOCKETS OUTLETS IP44



■ BEHAVIOUR WITH CHEMICAL AND ATMOSPHERIC AGENTS

Saline solution	Acids		Bases		Solvents				Mineral oil	UV rays
	Concentrated	Diluted	Concentrated	Diluted	Hexane	Benzol	Acetone	Alcohol		
Resistant	Limited Resistance	Resistant	Resistant	Resistant	Not Resistant	Not Resistant	Not Resistant	Limited Resistance	Resistant	Limited Resistance

For specific substances please contact our technical service.

■ WIRING AND INSTALLATION

Wiring capacity of the terminals (mm²)

Max. cable size accepted by the cable clamp:

Rated voltage	Rated current (A)	Plugs, connectors and appliance inlets		Socket outlets	
		Min	Max	Min	Max
Over 50V	16A	1	2,5	1,5	4
	32A	2,5	6	2,5	10
	63A	6	16	6	25
	125A	16	50	25	70

Rated current (A)	Outside Ø mm	
	Min	Max
16A	8	15
32A	11,5	21
63A	17	31
125A	26	48

■ APPLICATION EXAMPLES



Industrial plugs and sockets

EUREKA Series >> Flush / surface mounting socket outlets

EUREKA Series

452.




 **Screw terminals**
[90° angled outlet]

SOCKET OUTLET

IP44

70x87mm

PG 16

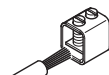
Poles	Hz	Volt	Colour	h	16A		32A	
					Part No.	Quantity	Part No.	Quantity
2P+E	50Hz 60Hz	100-130V		4h	452.1660	10/100	452.3260	10/40
		200-250V		6h	452.1663	10/100	452.3263	10/40
		380-415V		9h	452.1668	10/100	452.3268	10/40
		480-500V		7h	452.16636		452.32636	
		TST>50V		12h	452.16633		452.32633	
	>300-500Hz	>50V		2h	452.16632		452.32632	
	DC	>50-250V		3h	452.16634		452.32634	10/40
		>250V		8h	452.16638		452.32638	
	3P+E	50Hz 60Hz	100-130V		4h	452.1661	10/60	452.3261
200-250V				9h	452.1664	10/60	452.3264	10/40
380-415V				6h	452.1666	10/60	452.3266	10/40
380V 50Hz / 440V 60Hz				3h	452.16664		452.32664	10/40
480-500V				7h	452.16666		452.32666	
60Hz		600-690V		5h	452.16667		452.32667	
60Hz		440-460V		11h	452.16665		452.32665	10/40
100-300Hz		>50V		10h	452.16661	10/60	452.32661	
>300-500Hz				2h	452.16662		452.32662	
3P+N+E		50Hz 60Hz	100-130V		4h	452.1662	10/60	452.3262
	208-250V			9h	452.1665	10/60	452.3265	10/40
	346-415V			6h	452.1667	10/60	452.3267	10/40
	380V 50Hz / 440V 60Hz			3h	452.16674		452.32674	10
	480-500V			7h	452.16676		452.32676	10
	60Hz	600-690V		5h	452.16677		452.32677	10
	60Hz	440-460V		11h	452.16675		452.32675	10
	>300-500Hz	>50V		2h	452.16672	10/60	452.32672	10



= Screw terminals



= Spring terminals (fast wiring)

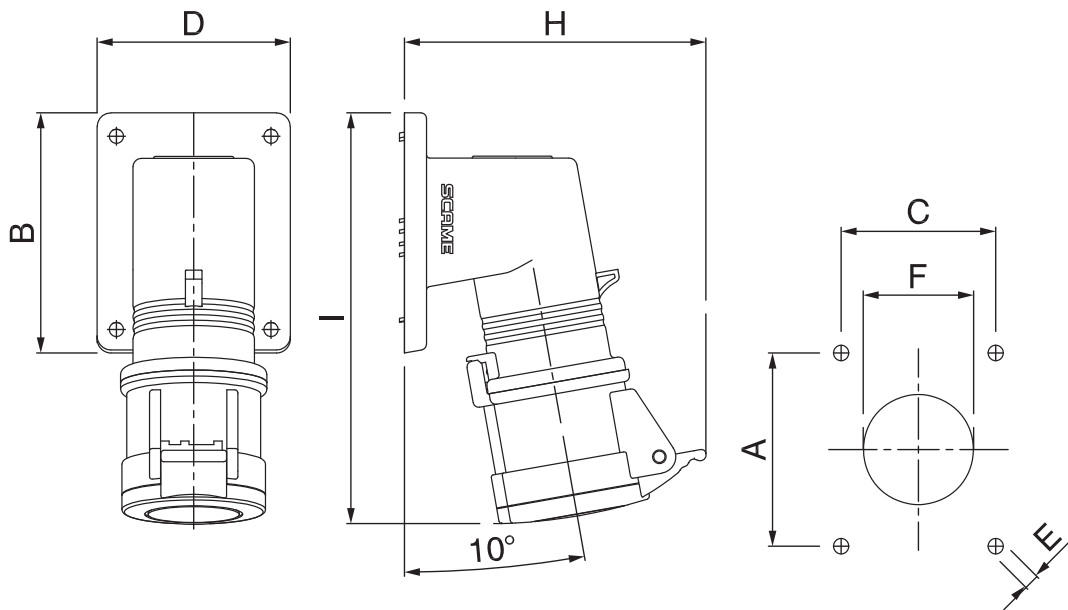


= Mantle terminals

EUREKA series

DIMENSIONS

SOCKETS OUTLET - 90° ANGLED - IP44



		A	B	C	D	E	F	H	I
16A	2P+E	70	87	56	70	5.2	40	109	149
	3P+E	70	87	56	70	5.2	40	116	150
	3P+N+E	70	87	56	70	5.2	40	125	151
32A	2P+E	70	87	56	70	5.2	40	127	161
	3P+E	70	87	56	70	5.2	40	127	161
	3P+N+E	70	87	56	70	5.2	40	137	163



www.filippidisandsons.gr