



# EUREKA SERIES

FLUSH/SURFACE MOUNTING SOCKETS OUTLETS IP44



**■ BEHAVIOUR WITH CHEMICAL AND ATMOSPHERIC AGENTS**

Saline solution	Acids		Bases		Solvents				Mineral oil	UV rays
	Concentrated	Diluted	Concentrated	Diluted	Hexane	Benzol	Acetone	Alcohol		
Resistant	Limited Resistance	Resistant	Resistant	Resistant	Not Resistant	Not Resistant	Not Resistant	Limited Resistance	Resistant	Limited Resistance

For specific substances please contact our technical service.

**■ WIRING AND INSTALLATION**

Wiring capacity of the terminals (mm<sup>2</sup>)

Max. cable size accepted by the cable clamp:

Rated voltage	Rated current (A)	Plugs, connectors and appliance inlets		Socket outlets	
		Min	Max	Min	Max
Over 50V	16A	1	2,5	1,5	4
	32A	2,5	6	2,5	10
	63A	6	16	6	25
	125A	16	50	25	70

Rated current (A)	Outside Ø mm	
	Min	Max
16A	8	15
32A	11,5	21
63A	17	31
125A	26	48

**■ APPLICATION EXAMPLES**



# Connectors and sockets for industrial applications

## Flush mounting socket outlets - IP66/IP67/IP69

### EUREKA Series >> Flush / surface mounting socket outlets

#### EUREKA Series

457.



 **Screw terminals**  
**[90° angled outlet]**

SOCKET OUTLET

IP66/IP67

70x87mm

PG 16

Poles	Hz	Volt	Colour	h	16A		32A	
					Part No.	10/60	Part No.	10/40
2P+E	50Hz 60Hz	100-130V	Yellow	4h	<b>457.1660</b>	10/60	<b>457.3260</b>	10/40
		200-250V	Blue	6h	<b>457.1663</b>	10/60	<b>457.3263</b>	10/40
		380-415V	Red	9h	<b>457.1668</b>	10/60	<b>457.3268</b>	10/40
		480-500V	Black	7h	<b>457.16636</b>		<b>457.32636</b>	10/40
		TST>50V	Grey	12h	<b>457.16633</b>		<b>457.32633</b>	
	>300-500Hz	>50V	Green	2h	<b>457.16632</b>		<b>457.32632</b>	
	DC	>50-250V	Grey	3h	<b>457.16634</b>		<b>457.32634</b>	10/40
		>250V	Grey	8h	<b>457.16638</b>		<b>457.32638</b>	
3P+E	50Hz 60Hz	100-130V	Yellow	4h	<b>457.1661</b>	10/50	<b>457.3261</b>	10/40
		200-250V	Blue	9h	<b>457.1664</b>	10/50	<b>457.3264</b>	10/40
		380-415V	Red	6h	<b>457.1666</b>	10/50	<b>457.3266</b>	10/40
		380V 50Hz / 440V 60Hz	Red	3h	<b>457.16664</b>		<b>457.32664</b>	10/40
		480-500V	Black	7h	<b>457.16666</b>	10/50	<b>457.32666</b>	10/40
	60Hz	600-690V	Black	5h	<b>457.16667</b>		<b>457.32667</b>	
	60Hz	440-460V	Red	11h	<b>457.16665</b>		<b>457.32665</b>	
	100-300Hz	>50V	Green	10h	<b>457.16661</b>	10/50	<b>457.32661</b>	
>300-500Hz	>50V	Green	2h	<b>457.16662</b>		<b>457.32662</b>		
3P+N+E	50Hz 60Hz	100-130V	Yellow	4h	<b>457.1662</b>	10/50	<b>457.3262</b>	10/40
		208-250V	Blue	9h	<b>457.1665</b>	10/50	<b>457.3265</b>	10/40
		346-415V	Red	6h	<b>457.1667</b>	10/50	<b>457.3267</b>	10/40
		380V 50Hz / 440V 60Hz	Red	3h	<b>457.16674</b>	10/50	<b>457.32674</b>	10/40
		480-500V	Black	7h	<b>457.16676</b>		<b>457.32676</b>	10
	60Hz	600-690V	Black	5h	<b>457.16677</b>		<b>457.32677</b>	10/40
	60Hz	440-460V	Red	11h	<b>457.16675</b>		<b>457.32675</b>	10/40
	>300-500Hz	>50V	Green	2h	<b>457.16672</b>		<b>457.32672</b>	10



= Screw terminals



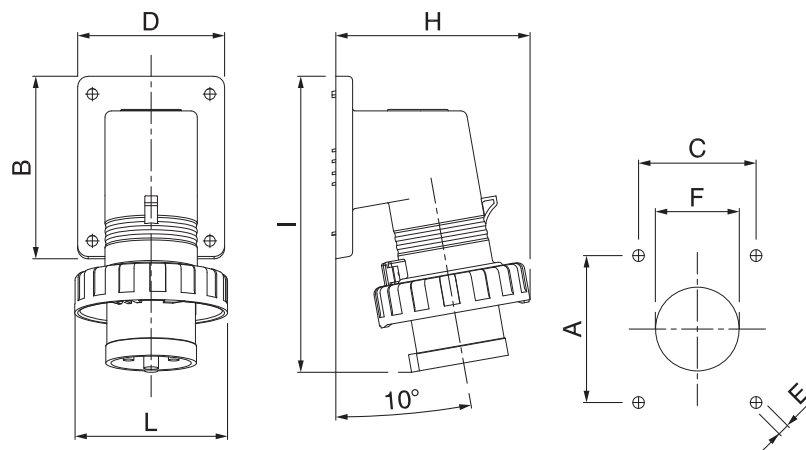
= Spring terminals (fast wiring)



= Mantle terminals

## DIMENSIONS

APPLIANCE INLETS - 90° ANGLED - IP66/IP67



		A	B	C	D	E	F	H	I	L
16A	2P+E	70	87	56	70	5.2	40	98	155	73
	3P+E	70	87	56	70	5.2	40	107	156	81
	3P+N+E	70	87	56	70	5.2	40	117	157	88
32A	2P+E	70	87	56	70	5.2	40	123	168	93
	3P+E	70	87	56	70	5.2	40	123	168	93
	3P+N+E	70	87	56	70	5.2	40	127	169	101

