



OPTIMA SERIES

SURFACE MOUNTING SOCKETS OUTLETS IP44



■ BEHAVIOUR WITH CHEMICAL AND ATMOSPHERIC AGENTS

Saline solution	Acids		Bases		Solvents				Mineral oil	UV rays
	Concentrated	Diluted	Concentrated	Diluted	Hexane	Benzol	Acetone	Alcohol		
Resistant	Limited Resistance	Resistant	Resistant	Resistant	Not Resistant	Not Resistant	Not Resistant	Limited Resistance	Resistant	Limited Resistance

For specific substances please contact our technical service.

■ WIRING AND INSTALLATION

Wiring capacity of the terminals (mm²)

Max. cable size accepted by the cable clamp:

Rated voltage	Rated current (A)	Plugs, connectors and appliance inlets		Socket outlets	
		Min	Max	Min	Max
Over 50V	16A	1	2,5	1,5	4
	32A	2,5	6	2,5	10
	63A	6	16	6	25
	125A	16	50	25	70

Rated current (A)	Outside Ø mm	
	Min	Max
16A	8	15
32A	11,5	21
63A	17	31
125A	26	48

■ APPLICATION EXAMPLES



Industrial plugs and sockets

■ OPTIMA Series >> Surface mounting socket outlets

OPTIMA Series

512.



 **Screw terminals
[Angled box]**

SURFACE MOUNTING SOCKET

IP44/IP54

M20X1,5

M25X1,5

M32X1,5

16A

32A

Poles	Hz	Volt	Colour	h	M20X1,5	M25X1,5	M32X1,5
2P+E		100-130V	Yellow	4h	512.1650 10/50		512.3250 10/40
		200-250V	Blue	6h	512.1653 10/50		512.3253 10/40
		380-415V	Red	9h	512.1658 10/50		512.3258 10/40
3P+E	50Hz 60Hz	100-130V	Yellow	4h		512.1651 10/50	512.3251 10/40
		200-250V	Blue	9h		512.1654 10/50	512.3254 10/40
		380-415V	Red	6h		512.1656 10/50	512.3256 10/40
3P+N+E		100-130V	Yellow	4h		512.1652 10/50	512.3252 10/40
		208-250V	Blue	9h		512.1655 10/50	512.3255 10/40
		346-415V	Red	6h		512.1657 10/50	512.3257 10/40

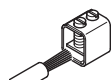
- Open threaded cable entry
- Threaded cap/cable sleeve included



= Screw terminals



= Spring terminals (fast wiring)

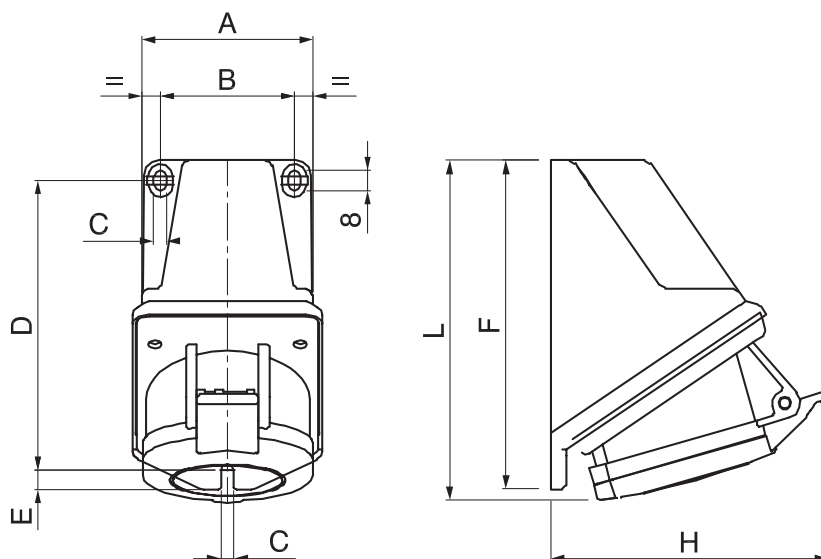


= Mantle terminals

OPTIMA SERIES

DIMENSIONS

SURFACE MOUNTING SOCKET OUTLETS - ANGLED BOX 16-32A



IP44		A	B	C	D	E	F	H	L
	2P+E	65	52	5	112	7.5	127	99	128
16A	3P+E	65	52	5	112	7.5	127	102	131
	3P+N+E	65	52	5	112	7.5	127	107	133
32A	2P+E	80	66	5	121	7.5	137	116	141
	3P+E	80	66	5	121	7.5	137	116	141
	3P+N+E	80	66	5	121	7.5	137	120	143



www.filippidisandsons.gr