



# MASTER LEDspot PAR

## MAS LEDspotLV D 8-50W 840 MR16 36D

With its robust design and warm-white beam of light, these new-generation PAR lamps are ideal for general lighting and spot lighting in the hospitality industry. There is a choice of dimmable and non-dimmable versions. They are especially suitable for public areas such as lobbies, corridors, stairwells, where the light is always on.

### Product data

General Information	
Cap-Base	GU5.3 [ GU5.3]
Main Application	Industrial
Nominal Lifetime (Nom)	40000 h
Switching Cycle	50000X
Light Technical	
Color Code	840 [ CCT of 4000K]
Beam Angle (Nom)	36 °
Luminous Flux (Nom)	710 lm
Luminous Flux (Rated) (Nom)	710 lm
Luminous Intensity (Nom)	1750 cd
Color Designation	White (WH)
Rated Beam Angle	36 °
Correlated Color Temperature (Nom)	4000 K
Luminous Efficacy (rated) (Nom)	84 lm/W
Color Consistency	<6
Color Rendering Index (Nom)	80
LLMF At End Of Nominal Lifetime (Nom)	70 %
Luminous Flux In 90° Cone (Rated)	670 lm

Operating and Electrical	
Power (Rated) (Nom)	8 W
Lamp Current (Nom)	900 mA
Wattage Equivalent	50 W
Starting Time (Nom)	0.5 s
Warm Up Time To 60% Light (Nom)	0.7 s
Power Factor (Nom)	0.7
Voltage (Nom)	12 V
Temperature	
T-Case Maximum (Nom)	105 °C
Controls and Dimming	
Dimmable	Yes
Approval and Application	
Energy Saving Product	Yes
Suitable For Accent Lighting	Yes
Energy Efficiency Label (EEL)	A+
Energy Consumption kWh/1000 h	9 kWh

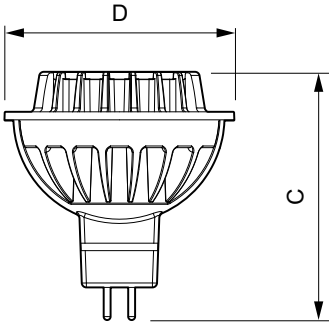
# MASTER LEDspot PAR

## Product Data

Full product code	871869657635900
Order product name	MAS LEDspotLV D 8-50W 840 MR16 36D
EAN/UPC - Product	8718696576359
Order code	929001150302
Numerator - Quantity Per Pack	1

Numerator - Packs per outer box	10
Material Nr. (12NC)	929001150302
Net Weight (Piece)	0.050 kg

## Dimensional drawing



MR16 8W-50W 36D 4000K Gu5.3 D Dark Gray

Product	D	C
MAS LEDspotLV D 8-50W 840 MR16 36D	51 mm	55 mm

## Photometric data

