



MASTER LEDspot LV AR111

MAS LEDspotLV D 15-75W 930 AR111 40D

With its new perfect-fit design, the Master LEDspot LV AR111 now works with most of G53 luminaires as a true retrofit solution. The lamp creates a brilliant visual effect for retail and hospitality applications such as shops, showrooms and galleries. The high quality light brings out the true colors in merchandise and emphasizes its beauty. It also lasts long, with a strong lumen and color maintenance. The beautifully designed lamp offers a well-defined beam with a multitude of beam angles to suit various applications. Not only does it employ the Philips patented solution to ensure it is compatible with a broad selection of standard 12V halogen electronic transformers, it also delivers high beam intensity which equivalent to halogen AR111 spots of 50W, 75W or 100W.

Product data

General Information		Operating and Electrical	
Cap-Base	G53 [G53]	Rated Beam Angle	40 °
Nominal Lifetime (Nom)	40000 h	Correlated Color Temperature (Nom)	3000 K
Switching Cycle	50000X	Luminous Efficacy (rated) (Nom)	54.00 lm/W
Technical Type	15-75W	Color Consistency	<3
		Color Rendering Index (Nom)	90
		LLMF At End Of Nominal Lifetime (Nom)	70 %
		Luminous Flux In 90° Cone (Rated)	810 lm
Light Technical			
Color Code	930 [CCT of 3000K]	Power (Rated) (Nom)	15 W
Beam Angle (Nom)	40 °	Lamp Current (Nom)	1800 mA
Light Distribution	Wide beam 40°	Wattage Equivalent	75 W
Luminous Flux (Nom)	810 lm	Starting Time (Nom)	0.5 s
Luminous Flux (Rated) (Nom)	810 lm	Warm Up Time To 60% Light (Nom)	0.5 s
Luminous Intensity (Nom)	1450 cd		
Color Designation	White (WH)		

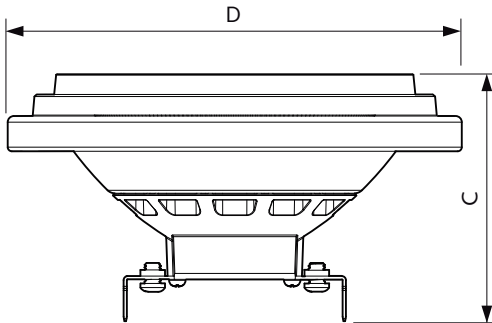
MASTER LEDspot LV AR111

Power Factor (Nom)	0.7
Voltage (Nom)	12 V
Temperature	
T-Case Maximum (Nom)	74 °C
Controls and Dimming	
Dimmable	Yes
Approval and Application	
Suitable For Accent Lighting	Yes
Energy Efficiency Label (EEL)	A
Energy Consumption kWh/1000 h	17 kWh

Product Data

Full product code	871869651502000
Order product name	MAS LEDspotLV D 15-75W 930 AR111 40D
EAN/UPC - Product	8718696515020
Order code	929001170502
Numerator - Quantity Per Pack	1
Numerator - Packs per outer box	6
Material Nr. (12NC)	929001170502
Net Weight (Piece)	0.160 kg

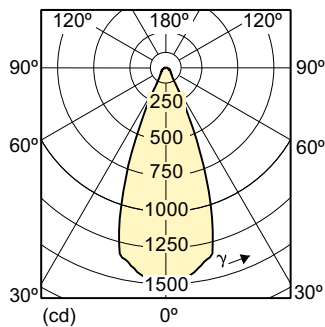
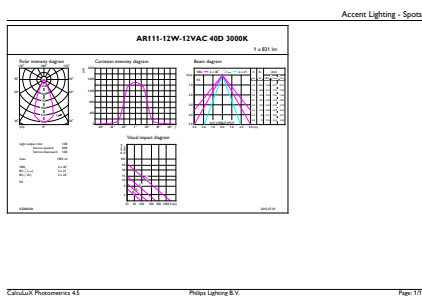
Dimensional drawing



LED D 15-75W 930 AR111 40D

Product	D	C
MAS LEDspotLV D 15-75W 930 AR111 40D	111 mm	62 mm

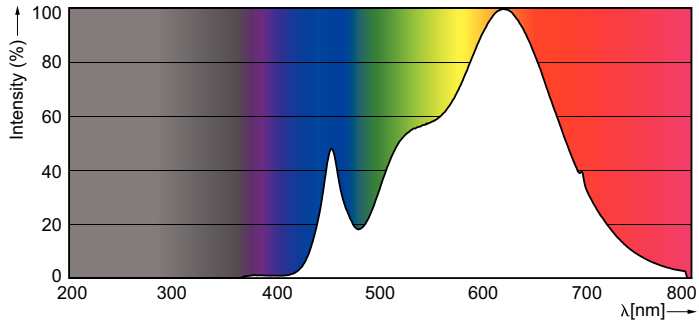
Photometric data



15-75 W GX53 /930 AR111 40D

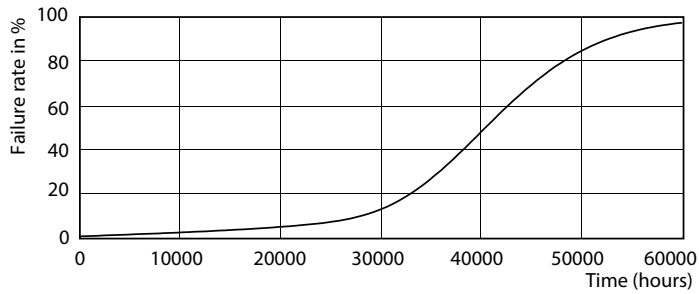
MASTER LEDspot LV AR111

Photometric data

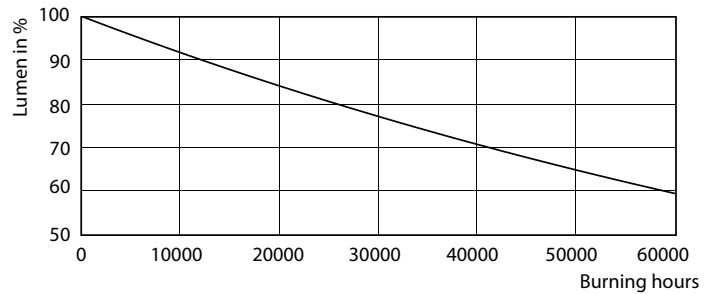


15-75W AR111 /930

Lifetime



MASTER LEDspotLV AR111 75W G53 940 40D



MASTER LEDspotLV AR111 75W G53 940 40D

