



# MASTER LEDspot LV AR111

## MAS LEDspotLV D 20-100W 827 AR111 24D

With its new perfect-fit design, the Master LEDspot LV AR111 now works with most of G53 luminaires as a true retrofit solution. The lamp creates a brilliant visual effect for retail and hospitality applications such as shops, showrooms and galleries. The high quality light brings out the true colors in merchandise and emphasizes its beauty. It also lasts long, with a strong lumen and color maintenance. The beautifully designed lamp offers a well-defined beam with a multitude of beam angles to suit various applications. Not only does it employ the Philips patented solution to ensure it is compatible with a broad selection of standard 12V halogen electronic transformers, it also delivers high beam intensity which equivalent to halogen AR111 spots of 50W, 75W or 100W.

### Product data

General Information	
Cap-Base	G53 [ G53]
Nominal Lifetime (Nom)	25000 h
Switching Cycle	50000X
Technical Type	20-100W
Light Technical	
Color Code	827 [ CCT of 2700K]
Beam Angle (Nom)	24 °
Light Distribution	Medium beam 24°
Luminous Flux (Nom)	1180 lm
Luminous Flux (Rated) (Nom)	1180 lm
Luminous Intensity (Nom)	5800 cd
Color Designation	Warm White (WW)

Rated Beam Angle	24 °
Correlated Color Temperature (Nom)	2700 K
Luminous Efficacy (rated) (Nom)	59.00 lm/W
Color Consistency	<3
Color Rendering Index (Nom)	80
LLMF At End Of Nominal Lifetime (Nom)	70 %
Luminous Flux In 90° Cone (Rated)	1180 lm
Operating and Electrical	
Power (Rated) (Nom)	20 W
Lamp Current (Nom)	2400 mA
Wattage Equivalent	100 W
Starting Time (Nom)	0.5 s
Warm Up Time To 60% Light (Nom)	0.5 s

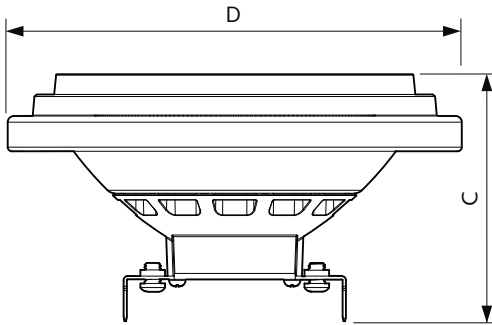
# MASTER LEDspot LV AR111

Power Factor (Nom)	0.7
Voltage (Nom)	12 V
<b>Temperature</b>	
T-Case Maximum (Nom)	80 °C
<b>Controls and Dimming</b>	
Dimmable	Yes
<b>Approval and Application</b>	
Suitable For Accent Lighting	Yes
Energy Efficiency Label (EEL)	A
Energy Consumption kWh/1000 h	22 kWh

## Product Data

Full product code	871869651504400
Order product name	MAS LEDspotLV D 20-100W 827 AR111 24D
EAN/UPC - Product	8718696515044
Order code	929001170802
Numerator - Quantity Per Pack	1
Numerator - Packs per outer box	6
Material Nr. (12NC)	929001170802
Net Weight (Piece)	0.160 kg

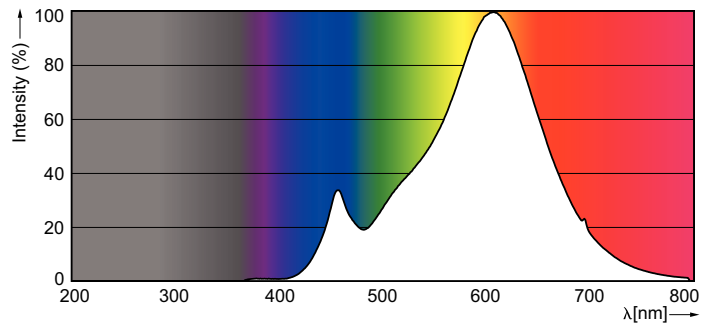
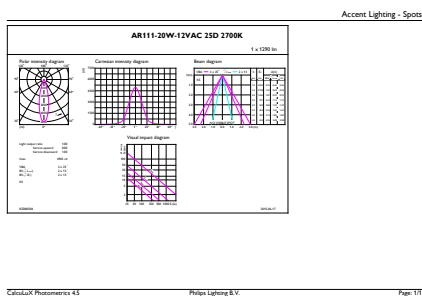
## Dimensional drawing



LED D 20-100W 827 AR111 24D

Product	D	C
MAS LEDspotLV D 20-100W 827 AR111 24D	111 mm	62 mm

## Photometric data



20-100W AR111 /827

# MASTER LEDspot LV AR111

