



MASTER LEDspot LV AR111

MAS LEDspotLV D 20-100W 830 AR111 24D

With its new perfect-fit design, the Master LEDspot LV AR111 now works with most of G53 luminaires as a true retrofit solution. The lamp creates a brilliant visual effect for retail and hospitality applications such as shops, showrooms and galleries. The high quality light brings out the true colors in merchandise and emphasizes its beauty. It also lasts long, with a strong lumen and color maintenance. The beautifully designed lamp offers a well-defined beam with a multitude of beam angles to suit various applications. Not only does it employ the Philips patented solution to ensure it is compatible with a broad selection of standard 12V halogen electronic transformers, it also delivers high beam intensity which equivalent to halogen AR111 spots of 50W, 75W or 100W.

Product data

General Information		Operating and Electrical	
Cap-Base	G53 [G53]	Rated Beam Angle	24 °
Nominal Lifetime (Nom)	25000 h	Correlated Color Temperature (Nom)	3000 K
Switching Cycle	50000X	Luminous Efficacy (rated) (Nom)	60.00 lm/W
Technical Type	20-100W	Color Consistency	<3
		Color Rendering Index (Nom)	80
		LLMF At End Of Nominal Lifetime (Nom)	70 %
		Luminous Flux In 90° Cone (Rated)	1200 lm
Light Technical			
Color Code	830 [CCT of 3000K]	Power (Rated) (Nom)	20 W
Beam Angle (Nom)	24 °	Lamp Current (Nom)	2400 mA
Light Distribution	Medium beam 25°	Wattage Equivalent	100 W
Luminous Flux (Nom)	1200 lm	Starting Time (Nom)	0.5 s
Luminous Flux (Rated) (Nom)	1200 lm	Warm Up Time To 60% Light (Nom)	0.5 s
Luminous Intensity (Nom)	6000 cd		
Color Designation	White (WH)		

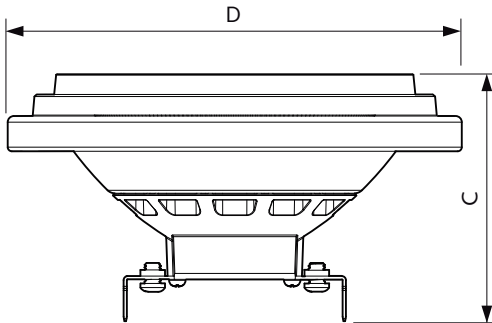
MASTER LEDspot LV AR111

Power Factor (Nom)	0.7
Voltage (Nom)	12 V
Temperature	
T-Case Maximum (Nom)	80 °C
Controls and Dimming	
Dimmable	Yes
Approval and Application	
Suitable For Accent Lighting	Yes
Energy Efficiency Label (EEL)	A
Energy Consumption kWh/1000 h	22 kWh

Product Data

Full product code	871869670743200
Order product name	MAS LEDspotLV D 20-100W 830 AR111 24D
EAN/UPC - Product	8718696707432
Order code	929001170902
Numerator - Quantity Per Pack	1
Numerator - Packs per outer box	6
Material Nr. (12NC)	929001170902
Net Weight (Piece)	0.160 kg

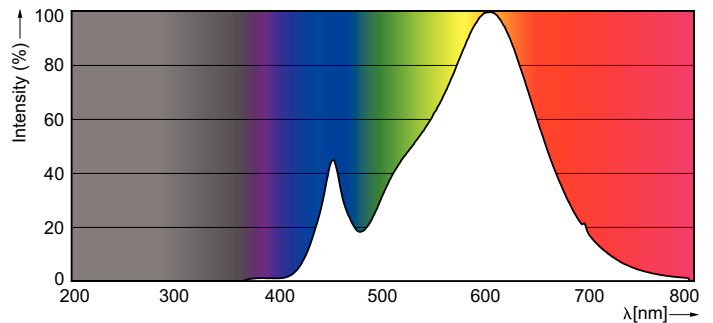
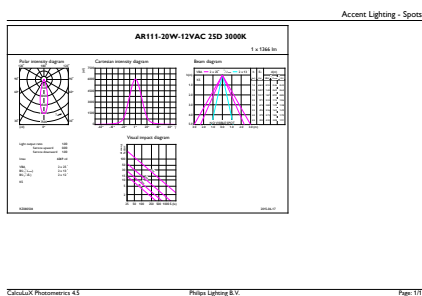
Dimensional drawing



MAS LEDspot LV D 20-100W 830 AR111 24D

Product	D	C
MAS LEDspotLV D 20-100W 830 AR111 24D	111 mm	62 mm

Photometric data



20-100W AR111 /830

MASTER LEDspot LV AR111

