



# MASTER LEDspot LV AR111

## MAS LEDspotLV D 20-100W 827 AR111 40D

With its new perfect-fit design, the Master LEDspot LV AR111 now works with most of G53 luminaires as a true retrofit solution. The lamp creates a brilliant visual effect for retail and hospitality applications such as shops, showrooms and galleries. The high quality light brings out the true colors in merchandise and emphasizes its beauty. It also lasts long, with a strong lumen and color maintenance. The beautifully designed lamp offers a well-defined beam with a multitude of beam angles to suit various applications. Not only does it employ the Philips patented solution to ensure it is compatible with a broad selection of standard 12V halogen electronic transformers, it also delivers high beam intensity which equivalent to halogen AR111 spots of 50W, 75W or 100W.

### Product data

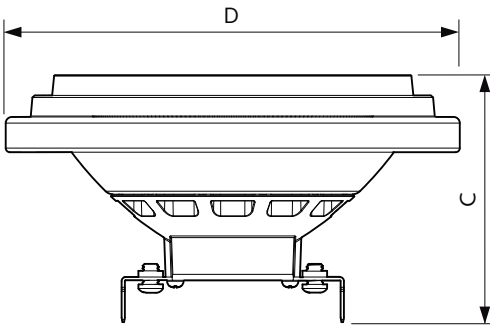
General Information		Operating and Electrical	
Cap-Base	G53 [ G53]	Correlated Color Temperature (Nom)	2700 K
Nominal Lifetime (Nom)	25000 h	Luminous Efficacy (rated) (Nom)	58.00 lm/W
Switching Cycle	50000X	Color Consistency	<3
Technical Type	20-100W	Color Rendering Index (Nom)	80
		LLMF At End Of Nominal Lifetime (Nom)	70 %
		Luminous Flux In 90° Cone (Rated)	1160 lm
Light Technical			
Color Code	827 [ CCT of 2700K]	Power (Rated) (Nom)	20 W
Beam Angle (Nom)	40 °	Lamp Current (Nom)	2400 mA
Luminous Flux (Nom)	1160 lm	Wattage Equivalent	100 W
Luminous Flux (Rated) (Nom)	1160 lm	Starting Time (Nom)	0.5 s
Luminous Intensity (Nom)	2300 cd	Warm Up Time To 60% Light (Nom)	0.5 s
Color Designation	Warm White (WW)	Power Factor (Nom)	0.7
Rated Beam Angle	40 °		

# MASTER LEDspot LV AR111

Voltage (Nom)	12 V
<b>Temperature</b>	
T-Case Maximum (Nom)	80 °C
<b>Controls and Dimming</b>	
Dimmable	Yes
<b>Approval and Application</b>	
Suitable For Accent Lighting	Yes
Energy Efficiency Label (EEL)	A
Energy Consumption kWh/1000 h	22 kWh

<b>Product Data</b>	
Full product code	871869670745600
Order product name	MAS LEDspotLV D 20-100W 827 AR111 40D
EAN/UPC - Product	8718696707456
Order code	929001171102
Numerator - Quantity Per Pack	1
Numerator - Packs per outer box	6
Material Nr. (12NC)	929001171102
Net Weight (Piece)	0.160 kg

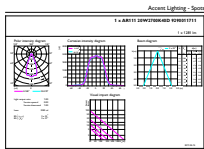
## Dimensional drawing



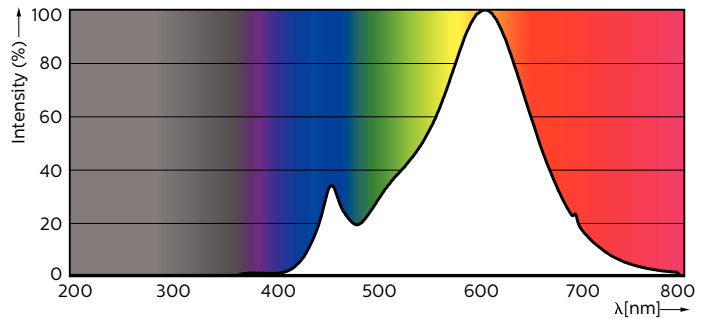
MAS LEDspot LV D 20-100W 827 AR111 40D

Product	D	C
MAS LEDspotLV D 20-100W 827 AR111 40D	111 mm	62 mm

## Photometric data



Continuum Performance 4.1 Photo Lighting 8.1.1 Page 117



MASTER LEDspotLV AR111 100W G53 827 40D

# MASTER LEDspot LV AR111

