



MASTER LEDspot LV AR111

MAS LEDspotLV D 11-50W 927 AR111 8D

With its new perfect-fit design, the Master LEDspot LV AR111 now works with most of G53 luminaires as a true retrofit solution. The lamp creates a brilliant visual effect for retail and hospitality applications such as shops, showrooms and galleries. The high quality light brings out the true colors in merchandise and emphasizes its beauty. It also lasts long, with a strong lumen and color maintenance. The beautifully designed lamp offers a well-defined beam with a multitude of beam angles to suit various applications. Not only does it employ the Philips patented solution to ensure it is compatible with a broad selection of standard 12V halogen electronic transformers, it also delivers high beam intensity which equivalent to halogen AR111 spots of 50W, 75W or 100W.

Product data

General Information	
Cap-Base	G53 [G53]
Nominal Lifetime (Nom)	40000 h
Switching Cycle	50000X
Technical Type	11-50W
Light Technical	
Color Code	927
Beam Angle (Nom)	8 °
Luminous Flux (Nom)	560 lm
Luminous Flux (Rated) (Nom)	560 lm
Luminous Intensity (Nom)	7800 cd
Color Designation	Warm White (WW)
Rated Beam Angle	8 °

Correlated Color Temperature (Nom)	2700 K
Luminous Efficacy (rated) (Nom)	50.91 lm/W
Color Consistency	<3
Color Rendering Index (Nom)	90
LLMF At End Of Nominal Lifetime (Nom)	70 %
Luminous Flux In 90° Cone (Rated)	560 lm
Operating and Electrical	
Power (Rated) (Nom)	11 W
Lamp Current (Nom)	1300 mA
Wattage Equivalent	50 W
Starting Time (Nom)	0.5 s
Warm Up Time To 60% Light (Nom)	0.5 s
Power Factor (Nom)	0.7

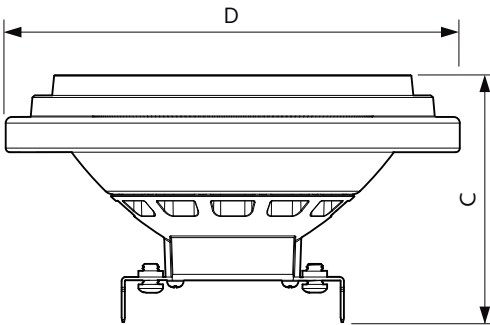
MASTER LEDspot LV AR111

Voltage (Nom)	12 V
Temperature	
T-Case Maximum (Nom)	70 °C
Controls and Dimming	
Dimmable	Yes
Approval and Application	
Suitable For Accent Lighting	Yes
Energy Efficiency Label (EEL)	A
Energy Consumption kWh/1000 h	13 kWh

Product Data

Full product code	871869657833900
Order product name	MAS LEDspotLV D 11-50W 927 AR111 8D
EAN/UPC - Product	8718696578339
Order code	929001243902
Numerator - Quantity Per Pack	1
Numerator - Packs per outer box	6
Material Nr. (12NC)	929001243902
Net Weight (Piece)	0.160 kg

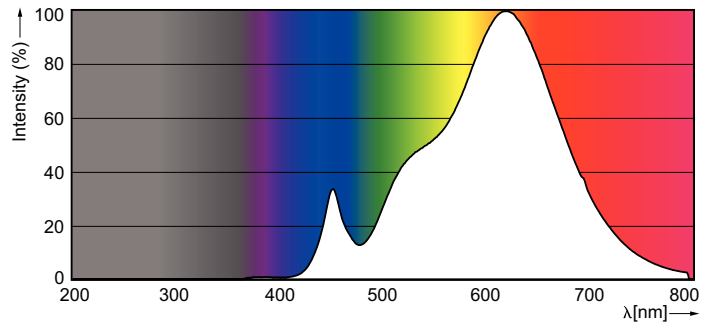
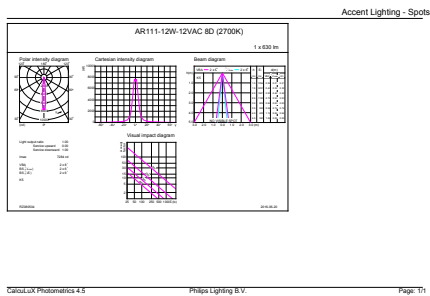
Dimensional drawing



AR111 Silver 11W-50W 600lm 8D 2700K G53D

Product	D	C
MAS LEDspotLV D 11-50W 927 AR111 8D	111 mm	62 mm

Photometric data



11-50W AR111 /927

MASTER LEDspot LV AR111

