



MASTER VALUE LEDspot LV

MAS LED spot VLE D 7-50W MR16 827 36D

Philips MASTER VALUE MR16 is the series of Low Voltage (12VAC) Halogen MR16 replacements. Not only does it employ Philips' patented solution to guarantee the broadest possible compatibility with standard 12V Halogen electronic transformers. It also delivers beam intensity which is equivalent to the 50W Philips Halogen MR16 lamps. The form-factor of Philips MASTER Value LED MR16 guarantees a 100% form on the back-side of the lamp (exact form with Halogen lamps.)

Product data

General Information		Color Rendering Index (Nom)	
Cap-Base	GU5.3 [GU5.3]		80
Nominal Lifetime (Nom)	25000 h	LLMF At End Of Nominal Lifetime (Nom)	70 %
Switching Cycle	50000X	Luminous Flux In 90° Cone (Rated)	621 lm
Technical Type	7-50W	Operating and Electrical	
Light Technical		Power (Rated) (Nom)	7 W
Color Code	827 [CCT of 2700K]	Lamp Current (Nom)	760 mA
Beam Angle (Nom)	36 °	Wattage Equivalent	50 W
Luminous Flux (Nom)	621 lm	Starting Time (Nom)	0.5 s
Luminous Flux (Rated) (Nom)	621 lm	Warm Up Time To 60% Light (Nom)	0.5 s
Luminous Intensity (Nom)	1600 cd	Power Factor (Nom)	0.8
Color Designation	Warm White (WW)	Voltage (Nom)	ac Electronic 12 V
Rated Beam Angle	36 °	Temperature	
Correlated Color Temperature (Nom)	2700 K	T-Case Maximum (Nom)	105 °C
Luminous Efficacy (rated) (Nom)	88.71 lm/W		
Color Consistency	<6		

MASTER VALUE LEDspot LV

Controls and Dimming

Dimmable	Yes
----------	-----

Approval and Application

Suitable For Accent Lighting	Yes
------------------------------	-----

Energy Efficiency Label (EEL)	A+
-------------------------------	----

Energy Consumption kWh/1000 h	8 kWh
-------------------------------	-------

Product Data

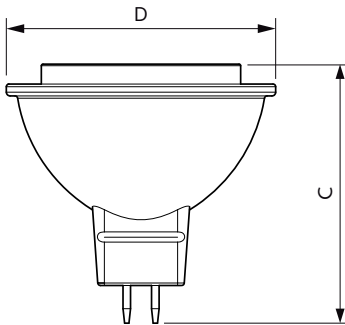
Full product code	871869670835400
-------------------	-----------------

Order product name	MAS LED spot VLE D 7-50W MR16 827 36D
EAN/UPC - Product	8718696708354
Order code	929001326502
Numerator - Quantity Per Pack	1
Numerator - Packs per outer box	10
Material Nr. (12NC)	929001326502
Net Weight (Piece)	0.045 kg

Warnings and Safety

- Operating temperature range is between -20° C and 45° C ambient
- Only to apply in dry or damp locations and most of open fixtures with lamp-holders that offer sufficient space (10 mm free air space)
- Not intended for use with emergency light fixtures or exit lights

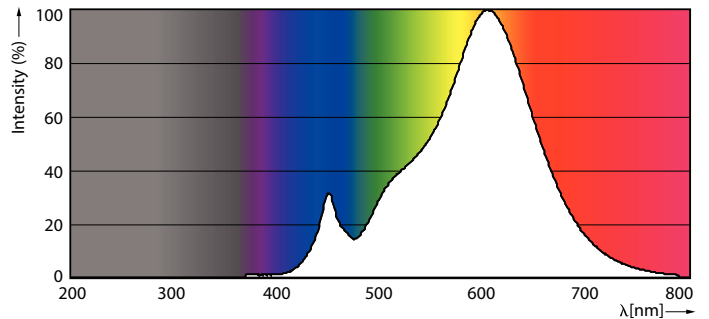
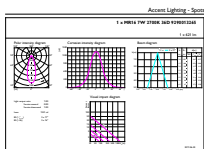
Dimensional drawing



MR16 12V 7.5W-50W 36D 2700K GU5.3 D

Product	D	C
MAS LED spot VLE D 7-50W MR16 827 36D	50.5 mm	49.5 mm

Photometric data



MAS VLE LEDspotLV 35W GU5-3 827 36D MR16

MASTER VALUE LEDspot LV

