



# MASTER VALUE LEDspot LV

## MAS LED spot VLE D 7-50W MR16 830 36D

Philips MASTER VALUE MR16 is the series of Low Voltage (12VAC) Halogen MR16 replacements. Not only does it employ Philips' patented solution to guarantee the broadest possible compatibility with standard 12V Halogen electronic transformers. It also delivers beam intensity which is equivalent to the 50W Philips Halogen MR16 lamps. The form-factor of Philips MASTER Value LED MR16 guarantees a 100% form on the back-side of the lamp (exact form with Halogen lamps.)

### Product data

General Information		Color Rendering Index (Nom)	
Cap-Base	GU5.3 [ GU5.3]		80
Nominal Lifetime (Nom)	25000 h	LLMF At End Of Nominal Lifetime (Nom)	70 %
Switching Cycle	50000X	Luminous Flux In 90° Cone (Rated)	630 lm
Technical Type	7-50W		
Light Technical		Operating and Electrical	
Color Code	830 [ CCT of 3000K]	Power (Rated) (Nom)	7 W
Beam Angle (Nom)	36 °	Lamp Current (Nom)	760 mA
Luminous Flux (Nom)	630 lm	Wattage Equivalent	50 W
Luminous Flux (Rated) (Nom)	630 lm	Starting Time (Nom)	0.5 s
Luminous Intensity (Nom)	1700 cd	Warm Up Time To 60% Light (Nom)	0.5 s
Color Designation	White (WH)	Power Factor (Nom)	0.8
Rated Beam Angle	36 °	Voltage (Nom)	ac Electronic 12 V
Correlated Color Temperature (Nom)	3000 K		
Luminous Efficacy (rated) (Nom)	90.00 lm/W	Temperature	
Color Consistency	<6	T-Case Maximum (Nom)	105 °C

# MASTER VALUE LEDspot LV

## Controls and Dimming

Dimmable	Yes
----------	-----

## Approval and Application

Suitable For Accent Lighting	Yes
Energy Efficiency Label (EEL)	A+
Energy Consumption kWh/1000 h	8 kWh

## Product Data

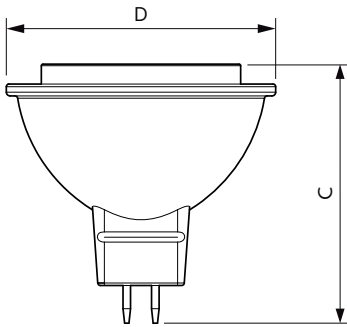
Full product code	871869670837800
-------------------	-----------------

Order product name	MAS LED spot VLE D 7-50W MR16 830 36D
EAN/UPC - Product	8718696708378
Order code	929001326602
Numerator - Quantity Per Pack	1
Numerator - Packs per outer box	10
Material Nr. (12NC)	929001326602
Net Weight (Piece)	0.045 kg

## Warnings and Safety

- Operating temperature range is between -20° C and 45° C ambient
- Only to apply in dry or damp locations and most of open fixtures with lamp-holders that offer sufficient space (10 mm free air space)
- Not intended for use with emergency light fixtures or exit lights

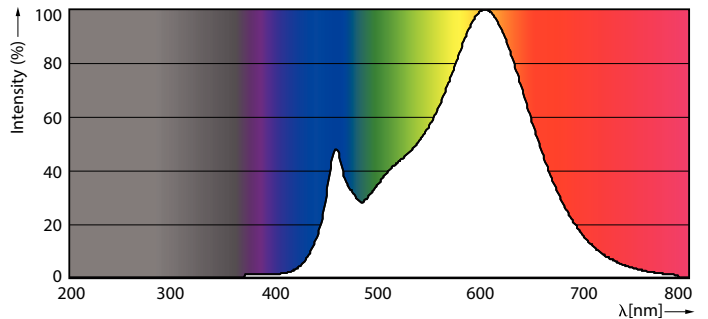
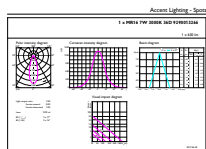
## Dimensional drawing



MR16 12V 7.5W-50W 36D 3000K GU5.3 D

Product	D	C
MAS LED spot VLE D 7-50W MR16 830 36D	50.5 mm	49.5 mm

## Photometric data



MAS VLE LEDspotLV 35W GU5-3 830 36D MR16

## MASTER VALUE LEDspot LV

