



MASTER VALUE LEDspot LV

MAS LED spot VLE D 7-50W MR16 840 60D

Philips MASTER VALUE MR16 is the series of Low Voltage (12VAC) Halogen MR16 replacements. Not only does it employ Philips' patented solution to guarantee the broadest possible compatibility with standard 12V Halogen electronic transformers. It also delivers beam intensity which is equivalent to the 50W Philips Halogen MR16 lamps. The form-factor of Philips MASTER Value LED MR16 guarantees a 100% form on the back-side of the lamp (exact form with Halogen lamps.)

Product data

General Information	
Cap-Base	GU5.3 [GU5.3]
Nominal Lifetime (Nom)	25000 h
Switching Cycle	50000X
Technical Type	7-50W
Light Technical	
Color Code	840 [CCT of 4000K]
Beam Angle (Nom)	60 °
Luminous Flux (Nom)	660 lm
Luminous Flux (Rated) (Nom)	660 lm
Luminous Intensity (Nom)	850 cd
Color Designation	Cool White (CW)
Rated Beam Angle	60 °
Correlated Color Temperature (Nom)	4000 K
Luminous Efficacy (rated) (Nom)	94.29 lm/W
Color Consistency	<6

Color Rendering Index (Nom)	80
LLMF At End Of Nominal Lifetime (Nom)	70 %
Luminous Flux In 90° Cone (Rated)	660 lm
Operating and Electrical	
Power (Rated) (Nom)	7 W
Lamp Current (Nom)	760 mA
Wattage Equivalent	50 W
Starting Time (Nom)	0.5 s
Warm Up Time To 60% Light (Nom)	0.5 s
Power Factor (Nom)	0.8
Voltage (Nom)	ac Electronic 12 V
Temperature	
T-Case Maximum (Nom)	105 °C

MASTER VALUE LEDspot LV

Controls and Dimming

Dimmable	Yes
----------	-----

Approval and Application

Suitable For Accent Lighting	Yes
------------------------------	-----

Energy Efficiency Label (EEL)	A+
-------------------------------	----

Energy Consumption kWh/1000 h	8 kWh
-------------------------------	-------

Product Data

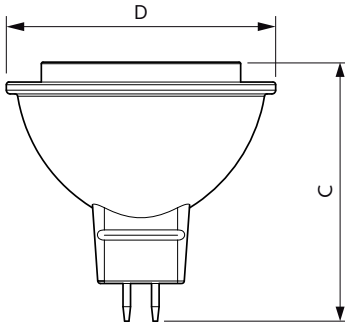
Full product code	871869670845300
-------------------	-----------------

Order product name	MAS LED spot VLE D 7-50W MR16 840 60D
EAN/UPC - Product	8718696708453
Order code	929001327002
Numerator - Quantity Per Pack	1
Numerator - Packs per outer box	10
Material Nr. (12NC)	929001327002
Net Weight (Piece)	0.045 kg

Warnings and Safety

- Operating temperature range is between -20° C and 45° C ambient
- Only to apply in dry or damp locations and most of open fixtures with lamp-holders that offer sufficient space (10 mm free air space)
- Not intended for use with emergency light fixtures or exit lights

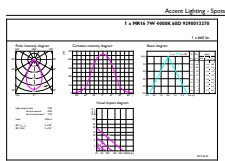
Dimensional drawing



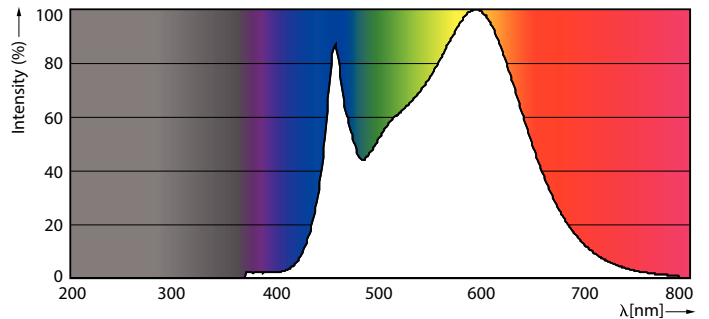
MR16 12V 7.5W-50W 60D 4000K GU5.3 D

Product	D	C
MAS LED spot VLE D 7-50W MR16 840 60D	50.5 mm	49.5 mm

Photometric data



Technical Information 12 | Photo Lighting LV | Page 17



MAS VLE LEDspotLV 35W GU5-3 840 36D MR16

MASTER VALUE LEDspot LV

