



# MASTER LEDspot LV AR111

## MAS LEDspotLV D 15-75W 940 AR111 24D

With its new perfect-fit design, the Master LEDspot LV AR111 now works with most of G53 luminaires as a true retrofit solution. The lamp creates a brilliant visual effect for retail and hospitality applications such as shops, showrooms and galleries. The high quality light brings out the true colors in merchandise and emphasizes its beauty. It also lasts long, with a strong lumen and color maintenance. The beautifully designed lamp offers a well-defined beam with a multitude of beam angles to suit various applications. Not only does it employ the Philips patented solution to ensure it is compatible with a broad selection of standard 12V halogen electronic transformers, it also delivers high beam intensity which equivalent to halogen AR111 spots of 50W, 75W or 100W.

### Product data

General Information		Operating and Electrical	
Cap-Base	G53 [ G53]	Correlated Color Temperature (Nom)	4000 K
Nominal Lifetime (Nom)	40000 h	Luminous Efficacy (rated) (Nom)	55.33 lm/W
Switching Cycle	50000X	Color Consistency	<3
Technical Type	15-75W	Color Rendering Index (Nom)	90
		LLMF At End Of Nominal Lifetime (Nom)	70 %
		Luminous Flux In 90° Cone (Rated)	830 lm
Light Technical			
Color Code	940 [ CCT of 4000K]	Power (Rated) (Nom)	15 W
Beam Angle (Nom)	24 °	Lamp Current (Nom)	1800 mA
Luminous Flux (Nom)	830 lm	Wattage Equivalent	75 W
Luminous Flux (Rated) (Nom)	830 lm	Starting Time (Nom)	0.5 s
Luminous Intensity (Nom)	4100 cd	Warm Up Time To 60% Light (Nom)	0.5 s
Color Designation	Cool White (CW)	Power Factor (Nom)	0.7
Rated Beam Angle	24 °		

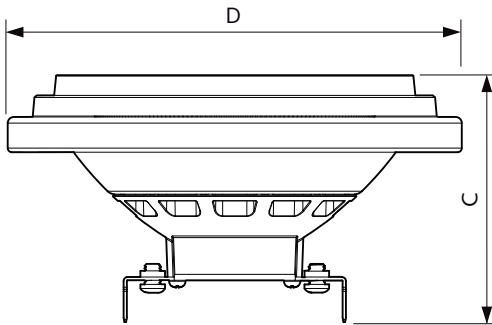
# MASTER LEDspot LV AR111

Voltage (Nom)	12 V
<b>Temperature</b>	
T-Case Maximum (Nom)	74 °C
<b>Controls and Dimming</b>	
Dimmable	Yes
<b>Approval and Application</b>	
Suitable For Accent Lighting	Yes
Energy Efficiency Label (EEL)	A
Energy Consumption kWh/1000 h	17 kWh

## Product Data

Full product code	871869671834600
Order product name	MAS LEDspotLV D 15-75W 940 AR111 24D
EAN/UPC - Product	8718696718346
Order code	929001329702
Numerator - Quantity Per Pack	1
Numerator - Packs per outer box	6
Material Nr. (12NC)	929001329702
Net Weight (Piece)	0.160 kg

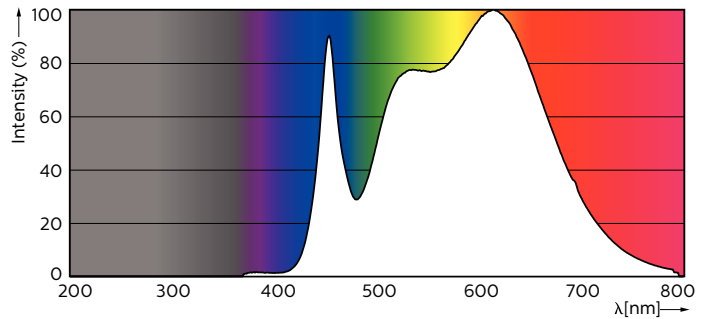
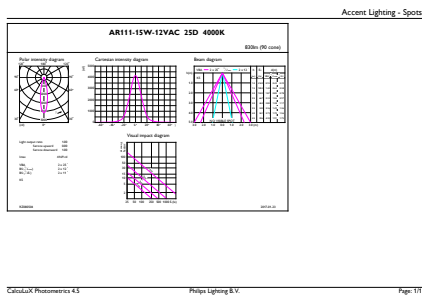
## Dimensional drawing



AR111 12V 15W-75W 890lm 24D 4000K G53 D

Product	D	C
MAS LEDspotLV D 15-75W 940 AR111 24D	111 mm	62 mm

## Photometric data



MASTER LEDspotLV AR111 75W G53 940

# MASTER LEDspot LV AR111

