



MASTER LEDspot ExpertColor LV

MASTER LED ExpertColor 6.5-35W MR16 930 60D

MASTER LEDspot LV ExpertColor creates a warm and comfortable ambience for hospitality venues, homes and restaurants. It creates such an ambience with superior lighting that has a customized spectrum, high CRI, and deep dimming feature. The result? A beautiful lighting experience. What's more, the innovative, trimless lens design will suit almost any interior decor with its clean and neat look. In addition, you can take advantage of the full ExpertColor family, which also includes LEDspot MV and LEDspot Par lamps.

Product data

General Information	
Cap-Base	GU5.3 [GU5.3]
Nominal Lifetime (Nom)	40000 h
Switching Cycle	50000X
Technical Type	6.5-35W
Light Technical	
Color Code	930 [CCT of 3000K]
Beam Angle (Nom)	60 °
Luminous Flux (Nom)	440 lm
Luminous Flux (Rated) (Nom)	440 lm
Luminous Intensity (Nom)	440 cd
Color Designation	White (WH)
Rated Beam Angle	60 °
Correlated Color Temperature (Nom)	3000 K
Luminous Efficacy (rated) (Nom)	67.69 lm/W
Color Consistency	<3

Color Rendering Index (Nom)	97
LLMF At End Of Nominal Lifetime (Nom)	70 %
Luminous Flux In 90° Cone (Rated)	440 lm
Operating and Electrical	
Power (Rated) (Nom)	6.5 W
Lamp Current (Nom)	800 mA
Wattage Equivalent	35 W
Starting Time (Nom)	0.5 s
Warm Up Time To 60% Light (Nom)	0.5 s
Power Factor (Nom)	0.7
Voltage (Nom)	ac electronic 12 V
Temperature	
T-Case Maximum (Nom)	90 °C

MASTER LEDspot ExpertColor LV

Controls and Dimming

Dimmable	Yes
----------	-----

Approval and Application

Suitable For Accent Lighting	Yes
------------------------------	-----

Energy Efficiency Label (EEL)	A+
-------------------------------	----

Energy Consumption kWh/1000 h	8 kWh
-------------------------------	-------

Product Data

Full product code	871869675753600
-------------------	-----------------

Order product name	MASTER LED ExpertColor 6.5-35W MR16 930 60D
--------------------	---

EAN/UPC - Product	8718696757536
-------------------	---------------

Order code	929001341502
------------	--------------

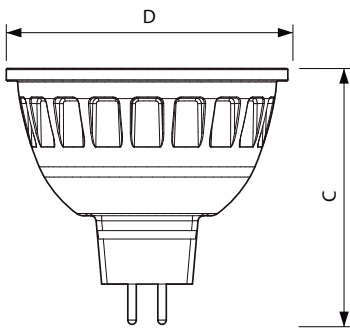
Numerator - Quantity Per Pack	1
-------------------------------	---

Numerator - Packs per outer box	10
---------------------------------	----

Material Nr. (12NC)	929001341502
---------------------	--------------

Net Weight (Piece)	0.034 kg
--------------------	----------

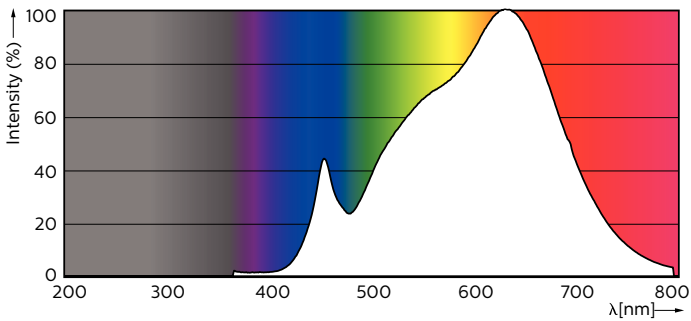
Dimensional drawing



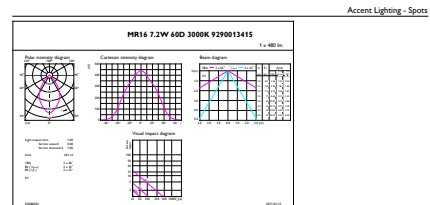
MAS LED MR16 ExpertColor 7.2-50W 930 60D

Product	D	C
MASTER LED ExpertColor 6.5-35W MR16 930 60D	50.5 mm	46 mm

Photometric data



Master LEDspot ExpertColor LV 50W EZ10 930 10D



MASTER LEDspot ExpertColor LV

