



# MASTER LEDspot ExpertColor LV

## MASTER LED ExpertColor 6.5-35W MR16 927 10D

MASTER LEDspot LV ExpertColor creates a warm and comfortable ambience for hospitality venues, homes and restaurants. It creates such an ambience with superior lighting that has a customized spectrum, high CRI, and deep dimming feature. The result? A beautiful lighting experience. What's more, the innovative, trimless lens design will suit almost any interior decor with its clean and neat look. In addition, you can take advantage of the full ExpertColor family, which also includes LEDspot MV and LEDspot Par lamps.

### Product data

General Information		Color Rendering Index (Nom)	
Cap-Base	GU5.3 [ GU5.3]		97
Nominal Lifetime (Nom)	40000 h	LLMF At End Of Nominal Lifetime (Nom)	70 %
Switching Cycle	50000X	Luminous Flux In 90° Cone (Rated)	410 lm
Technical Type	6.5-35W	<b>Operating and Electrical</b>	
<b>Light Technical</b>		Power (Rated) (Nom)	6.5 W
Color Code	927	Lamp Current (Nom)	800 mA
Beam Angle (Nom)	10 °	Wattage Equivalent	35 W
Luminous Flux (Nom)	410 lm	Starting Time (Nom)	0.5 s
Luminous Flux (Rated) (Nom)	410 lm	Warm Up Time To 60% Light (Nom)	0.5 s
Luminous Intensity (Nom)	4600 cd	Power Factor (Nom)	0.7
Color Designation	Warm White (WW)	Voltage (Nom)	ac electronic 12 V
Rated Beam Angle	10 °	<b>Temperature</b>	
Correlated Color Temperature (Nom)	2700 K	T-Case Maximum (Nom)	90 °C
Luminous Efficacy (rated) (Nom)	63.00 lm/W		
Color Consistency	<3		

# MASTER LEDspot ExpertColor LV

## Controls and Dimming

Dimmable	Yes
----------	-----

## Approval and Application

Suitable For Accent Lighting	Yes
------------------------------	-----

Energy Efficiency Label (EEL)	A
-------------------------------	---

Energy Consumption kWh/1000 h	8 kWh
-------------------------------	-------

## Product Data

Full product code	871869673871900
-------------------	-----------------

Order product name	MASTER LED ExpertColor 6.5-35W MR16 927 10D
--------------------	---

EAN/UPC - Product	8718696738719
-------------------	---------------

Order code	929001341702
------------	--------------

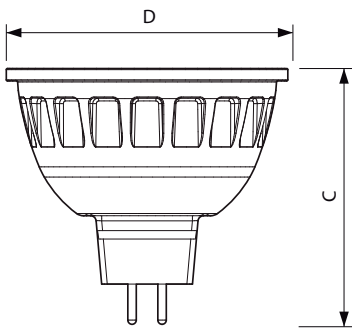
Numerator - Quantity Per Pack	1
-------------------------------	---

Numerator - Packs per outer box	10
---------------------------------	----

Material Nr. (12NC)	929001341702
---------------------	--------------

Net Weight (Piece)	0.034 kg
--------------------	----------

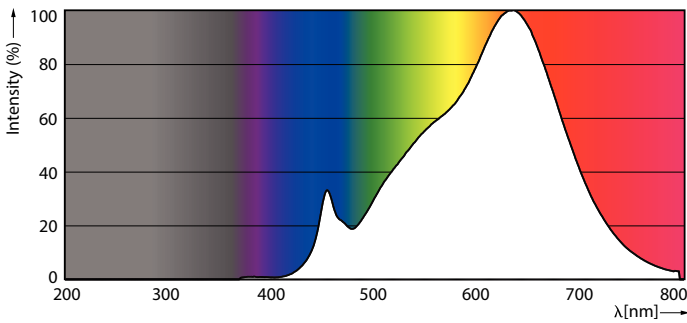
## Dimensional drawing



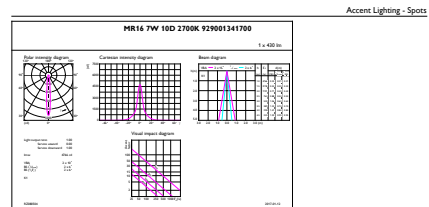
MR16 12V 6.5-30W 420lm 10D 2700K GU5.3 D

Product	D	C
MASTER LED ExpertColor 6.5-35W MR16 927 10D	51 mm	46 mm

## Photometric data



PAR38 120V 17-90W 1150lm 8D 2700K E26 D



# MASTER LEDspot ExpertColor LV

