



MASTER LEDspot ExpertColor LV

MASTER LED ExpertColor 6.5-35W MR16 930 10D

MASTER LEDspot LV ExpertColor creates a warm and comfortable ambience for hospitality venues, homes and restaurants. It creates such an ambience with superior lighting that has a customized spectrum, high CRI, and deep dimming feature. The result? A beautiful lighting experience. What's more, the innovative, trimless lens design will suit almost any interior decor with its clean and neat look. In addition, you can take advantage of the full ExpertColor family, which also includes LEDspot MV and LEDspot Par lamps.

Product data

General Information		Color Rendering Index (Nom)	
Cap-Base	GU5.3 [GU5.3]		97
Nominal Lifetime (Nom)	40000 h	LLMF At End Of Nominal Lifetime (Nom)	70 %
Switching Cycle	50000X	Luminous Flux In 90° Cone (Rated)	430 lm
Technical Type	6.5-35W	Operating and Electrical	
Light Technical		Power (Rated) (Nom)	6.5 W
Color Code	930 [CCT of 3000K]	Lamp Current (Nom)	800 mA
Beam Angle (Nom)	10 °	Wattage Equivalent	35 W
Luminous Flux (Nom)	430 lm	Starting Time (Nom)	0.5 s
Luminous Flux (Rated) (Nom)	430 lm	Warm Up Time To 60% Light (Nom)	0.5 s
Luminous Intensity (Nom)	5000 cd	Power Factor (Nom)	0.7
Color Designation	White (WH)	Voltage (Nom)	ac electronic 12 V
Rated Beam Angle	10 °	Temperature	
Correlated Color Temperature (Nom)	3000 K	T-Case Maximum (Nom)	90 °C
Luminous Efficacy (rated) (Nom)	66.15 lm/W		
Color Consistency	<3		

MASTER LEDspot ExpertColor LV

Controls and Dimming

Dimmable	Yes
----------	-----

Approval and Application

Suitable For Accent Lighting	Yes
------------------------------	-----

Energy Efficiency Label (EEL)	A
-------------------------------	---

Energy Consumption kWh/1000 h	8 kWh
-------------------------------	-------

Product Data

Full product code	871869673873300
-------------------	-----------------

Order product name	MASTER LED ExpertColor 6.5-35W MR16 930 10D
--------------------	---

EAN/UPC - Product	8718696738733
-------------------	---------------

Order code	929001341802
------------	--------------

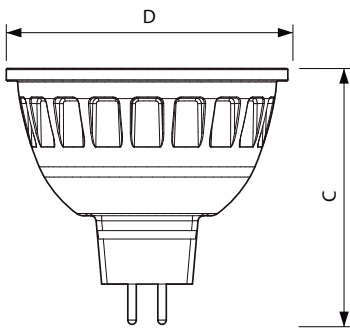
Numerator - Quantity Per Pack	1
-------------------------------	---

Numerator - Packs per outer box	10
---------------------------------	----

Material Nr. (12NC)	929001341802
---------------------	--------------

Net Weight (Piece)	0.034 kg
--------------------	----------

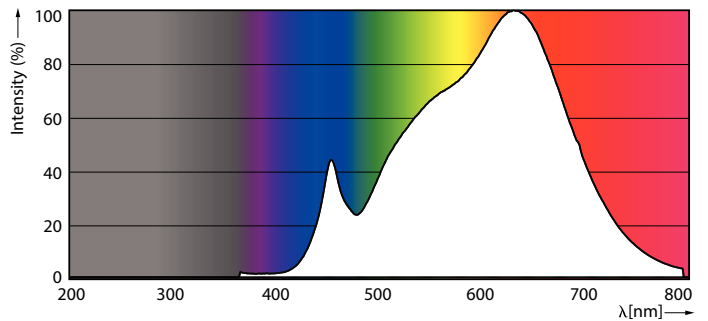
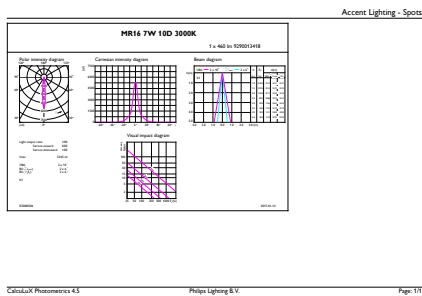
Dimensional drawing



MR16 12V 6.5-30W 450lm 10D 3000K GU5.3 D

Product	D	C
MASTER LED ExpertColor 6.5-35W MR16 930 10D	51 mm	46 mm

Photometric data



LEDspots MR16 7W 3000K

MASTER LEDspot ExpertColor LV

