



# CorePro LEDspot LV

## CorePro LED spot ND 5-35W MR16 827 36D

CorePro LEDspots are a perfect fit for spot lighting and deliver warm halogen-like light. They are compatible with most existing fixtures with MR16 GU5.3 holders and are designed as a retrofit replacement for halogen or incandescent spots. CorePro LEDspots deliver huge energy savings and minimize maintenance cost.

### Product data

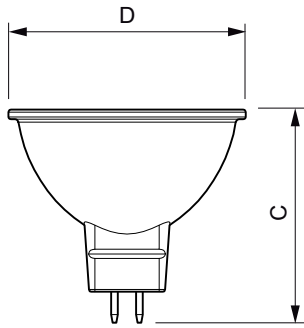
General Information		Operating and Electrical	
Cap-Base	GU5.3 [ GU5.3]	Power (Rated) (Nom)	5 W
Nominal Lifetime (Nom)	15000 h	Lamp Current (Nom)	575 mA
Switching Cycle	50000X	Wattage Equivalent	35 W
Technical Type	5-35W	Starting Time (Nom)	0.5 s
		Warm Up Time To 60% Light (Nom)	0.5 s
		Power Factor (Nom)	0.6
		Voltage (Nom)	12 V
Light Technical		Temperature	
Color Code	827 [ CCT of 2700K]	T-Case Maximum (Nom)	82 °C
Beam Angle (Nom)	36 °		
Luminous Flux (Nom)	345 lm	Controls and Dimming	
Luminous Flux (Rated) (Nom)	345 lm	Dimmable	No
Luminous Intensity (Nom)	650 cd		
Color Designation	Warm White (WW)	Approval and Application	
Rated Beam Angle	36 °	Suitable For Accent Lighting	Yes
Correlated Color Temperature (Nom)	2700 K	Energy Efficiency Label (EEL)	A+
Luminous Efficacy (rated) (Nom)	69.00 lm/W	Energy Consumption kWh/1000 h	6 kWh
Color Consistency	<6		
Color Rendering Index (Nom)	80	Product Data	
LLMF At End Of Nominal Lifetime (Nom)	70 %	Full product code	871869671063000
Luminous Flux In 90° Cone (Rated)	345 lm		

# CorePro LEDspot LV

Order product name	CorePro LED spot ND 5-35W MR16 827 36D
EAN/UPC - Product	8718696710630
Order code	929001344302
Numerator - Quantity Per Pack	1
Numerator - Packs per outer box	10

Material Nr. (12NC)	929001344302
Net Weight (Piece)	0.045 kg

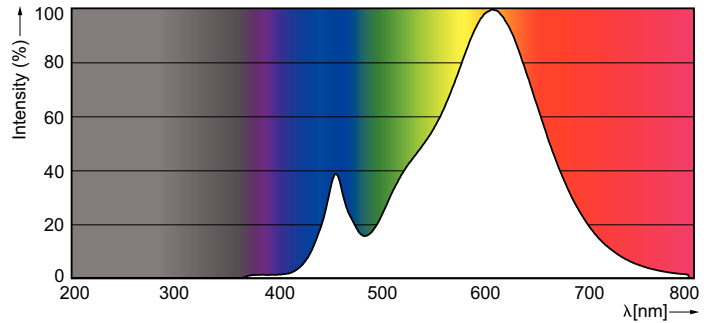
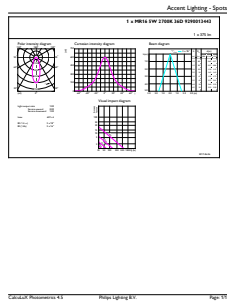
## Dimensional drawing



MR16 12V ACV 4.7-35W 390lm 36D 2700K ND

Product	D	C
CorePro LED spot ND 5-35W MR16 827 36D	51 mm	46 mm

## Photometric data



VLE D 6.3-35 W GU5.3 /827 MR16

