



# CorePro LEDspot LV

## CorePro LED spot ND 8-50W MR16 830 36D

CorePro LEDspots are a perfect fit for spot lighting and deliver warm halogen-like light. They are compatible with most existing fixtures with MR16 GU5.3 holders and are designed as a retrofit replacement for halogen or incandescent spots. CorePro LEDspots deliver huge energy savings and minimize maintenance cost.

### Product data

General Information	
Cap-Base	GU5.3 [ GU5.3]
Nominal Lifetime (Nom)	15000 h
Switching Cycle	50000X
Technical Type	8-50W
Light Technical	
Color Code	830 [ CCT of 3000K]
Beam Angle (Nom)	36 °
Luminous Flux (Nom)	621 lm
Luminous Flux (Rated) (Nom)	621 lm
Luminous Intensity (Nom)	1100 cd
Color Designation	White (WH)
Rated Beam Angle	36 °
Correlated Color Temperature (Nom)	3000 K
Luminous Efficacy (rated) (Nom)	77.63 lm/W
Color Consistency	<6
Color Rendering Index (Nom)	80
LLMF At End Of Nominal Lifetime (Nom)	70 %
Luminous Flux In 90° Cone (Rated)	621 lm

Operating and Electrical	
Power (Rated) (Nom)	8 W
Lamp Current (Nom)	660 mA
Wattage Equivalent	50 W
Starting Time (Nom)	0.5 s
Warm Up Time To 60% Light (Nom)	0.5 s
Power Factor (Nom)	0.85
Voltage (Nom)	12 V

Temperature	
T-Case Maximum (Nom)	90 °C

Controls and Dimming	
Dimmable	No

Approval and Application	
Suitable For Accent Lighting	Yes
Energy Efficiency Label (EEL)	A+
Energy Consumption kWh/1000 h	9 kWh

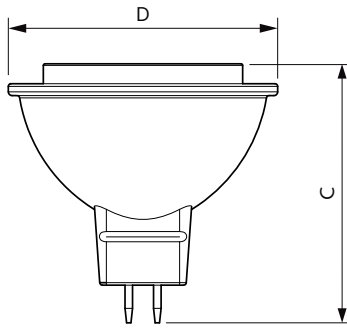
Product Data	
Full product code	871869671069200

# CorePro LEDspot LV

Order product name	CorePro LED spot ND 8-50W MR16 830 36D
EAN/UPC - Product	8718696710692
Order code	929001345002
Numerator - Quantity Per Pack	1
Numerator - Packs per outer box	10

Material Nr. (12NC)	929001345002
Net Weight (Piece)	0.045 kg

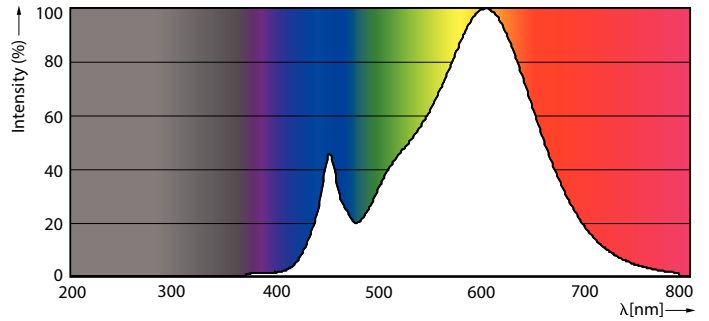
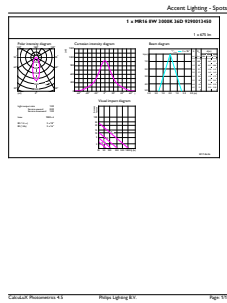
## Dimensional drawing



MR16 12V ACV 8-50W 621lm 36D 3000K ND

Product	D	C
CorePro LED spot ND 8-50W MR16 830 36D	51 mm	50 mm

## Photometric data



CorePro LEDspot.LV 50W GU5-3 830 36D

