



CorePro LEDspot LV

CorePro LED spot ND 8-50W MR16 840 36D

CorePro LEDspots are a perfect fit for spot lighting and deliver warm halogen-like light. They are compatible with most existing fixtures with MR16 GU5.3 holders and are designed as a retrofit replacement for halogen or incandescent spots. CorePro LEDspots deliver huge energy savings and minimize maintenance cost.

Product data

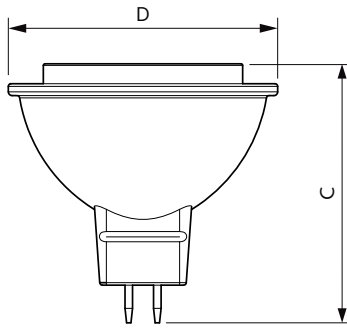
General Information		Operating and Electrical	
Cap-Base	GU5.3 [GU5.3]	Power (Rated) (Nom)	8 W
Nominal Lifetime (Nom)	15000 h	Lamp Current (Nom)	660 mA
Switching Cycle	50000X	Wattage Equivalent	50 W
Technical Type	8-50W	Starting Time (Nom)	0.5 s
		Warm Up Time To 60% Light (Nom)	0.5 s
		Power Factor (Nom)	0.85
		Voltage (Nom)	12 V
Light Technical		Temperature	
Color Code	840 [CCT of 4000K]	T-Case Maximum (Nom)	90 °C
Beam Angle (Nom)	36 °		
Luminous Flux (Nom)	630 lm	Controls and Dimming	
Luminous Flux (Rated) (Nom)	630 lm	Dimmable	No
Luminous Intensity (Nom)	1100 cd		
Color Designation	Cool White (CW)	Approval and Application	
Rated Beam Angle	36 °	Suitable For Accent Lighting	Yes
Correlated Color Temperature (Nom)	4000 K	Energy Efficiency Label (EEL)	A+
Luminous Efficacy (rated) (Nom)	78.75 lm/W	Energy Consumption kWh/1000 h	9 kWh
Color Consistency	<6		
Color Rendering Index (Nom)	80	Product Data	
LLMF At End Of Nominal Lifetime (Nom)	70 %	Full product code	871869671089000
Luminous Flux In 90° Cone (Rated)	630 lm		

CorePro LEDspot LV

Order product name	CorePro LED spot ND 8-50W MR16 840 36D
EAN/UPC - Product	8718696710890
Order code	929001345102
Numerator - Quantity Per Pack	1
Numerator - Packs per outer box	10

Material Nr. (12NC)	929001345102
Net Weight (Piece)	0.045 kg

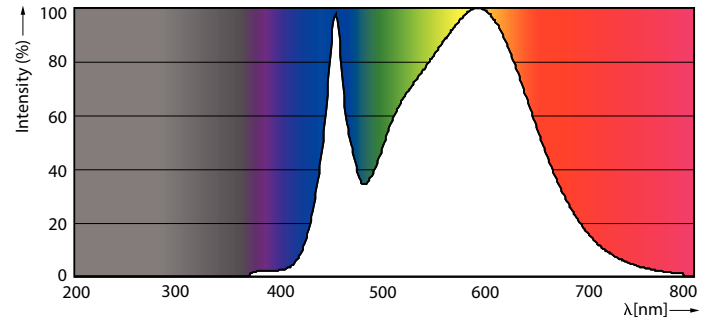
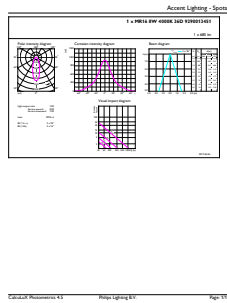
Dimensional drawing



MR16 12V ACV 8-50W 630lm 36D 4000K ND

Product	D	C
CorePro LED spot ND 8-50W MR16 840 36D	51 mm	50 mm

Photometric data



CorePro LEDspot.LV 50W GU5-3 840 36D

