



MASTER LEDspot ExpertColor LV

MASTER LED ExpertColor 7.5-43W MR16 930 36D

MASTER LEDspot LV ExpertColor creates a warm and comfortable ambience for hospitality venues, homes and restaurants. It creates such an ambience with superior lighting that has a customized spectrum, high CRI, and deep dimming feature. The result? A beautiful lighting experience. What's more, the innovative, trimless lens design will suit almost any interior decor with its clean and neat look. In addition, you can take advantage of the full ExpertColor family, which also includes LEDspot MV and LEDspot Par lamps.

Product data

General Information		Color Rendering Index (Nom)	
Cap-Base	GU5.3 [GU5.3]		92
Nominal Lifetime (Nom)	40000 h	LLMF At End Of Nominal Lifetime (Nom)	70 %
Switching Cycle	50000X	Luminous Flux In 90° Cone (Rated)	500 lm
Technical Type	7.5-43W	Operating and Electrical	
Light Technical		Power (Rated) (Nom)	7.5 W
Color Code	930 [CCT of 3000K]	Lamp Current (Nom)	880 mA
Beam Angle (Nom)	36 °	Wattage Equivalent	43 W
Luminous Flux (Nom)	500 lm	Starting Time (Nom)	0.5 s
Luminous Flux (Rated) (Nom)	500 lm	Warm Up Time To 60% Light (Nom)	0.5 s
Luminous Intensity (Nom)	1550 cd	Power Factor (Nom)	0.7
Color Designation	White (WH)	Voltage (Nom)	ac electronic 12 V
Rated Beam Angle	36 °	Temperature	
Correlated Color Temperature (Nom)	3000 K	T-Case Maximum (Nom)	93 °C
Luminous Efficacy (rated) (Nom)	66.67 lm/W		
Color Consistency	<3		

MASTER LEDspot ExpertColor LV

Controls and Dimming

Dimmable	Yes
----------	-----

Approval and Application

Suitable For Accent Lighting	Yes
------------------------------	-----

Energy Efficiency Label (EEL)	A
-------------------------------	---

Energy Consumption kWh/1000 h	9 kWh
-------------------------------	-------

Product Data

Full product code	871869673546600
-------------------	-----------------

Order product name	MASTER LED ExpertColor 7.5-43W MR16 930 36D
--------------------	---

EAN/UPC - Product	8718696735466
-------------------	---------------

Order code	929001386402
------------	--------------

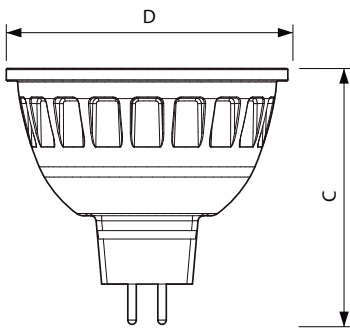
Numerator - Quantity Per Pack	1
-------------------------------	---

Numerator - Packs per outer box	10
---------------------------------	----

Material Nr. (12NC)	929001386402
---------------------	--------------

Net Weight (Piece)	0.030 kg
--------------------	----------

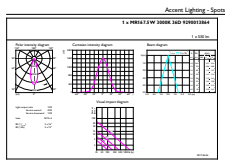
Dimensional drawing



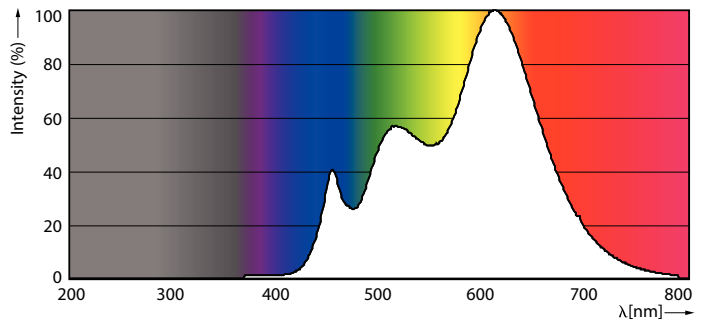
MR16 12V 8-43W 550lm 36D 3000K GU5.3 D

Product	D	C
MASTER LED ExpertColor 7.5-43W MR16 930 36D	50.5 mm	46 mm

Photometric data



© Philips Lighting B.V. 2017



MAS LEDspotLV 43W GU5-3 930 24D MR16

MASTER LEDspot ExpertColor LV

