

Glass break key box • 1492/1493

- Die-cast aluminium box
- Hammer included
- Version with key assembly

Glass break key box, for keeping and making available the operating key for external command blocks in cases of emergency.

The key is protected by a glass that must be broken using the specific hammer (supplied), the glass breaking is signalled by an internal changeover micro switch.



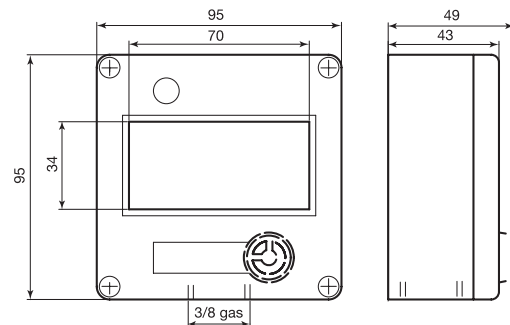
The robust aluminium frame makes this key box suited to any type of indoor environment.

The model 1493-1512 is equipped with an integrated key assembly with dual changeover contact (overall 6 terminals) and three 3 supplied keys (keys are all identical).

For the connection a threaded 3/8 gas cableway is available.

General specifications

Housing material	Epoxy varnished die-cast aluminium
Connection type	Terminals for glass break contact. Solder terminals for key assembly
Operating Temperature	-10°C ÷ +50°C
Protection degree	IP 40
Standard equipment	Test key, external screws in stainless steel, Cableway plug, n. 2 spare glasses
Packaging	1 pc. / package



Order codes

Code	Glass break contact	Key blocking contact	Case colour	Package weight	Notes
1492-CSA	Changeover max 75 Vcc / 3 A	-	Red	0,51 Kg	
1493-1512	Changeover max 75 Vcc / 3 A	Dual changeover max 75 Vcc / 3 A	Red	0,57 Kg	N° 3 identical keys

Accessories

1494-CSA	Spare glasses
CSA07960	Spare lock for 1493-1512



1493-1512