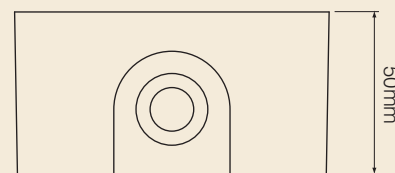
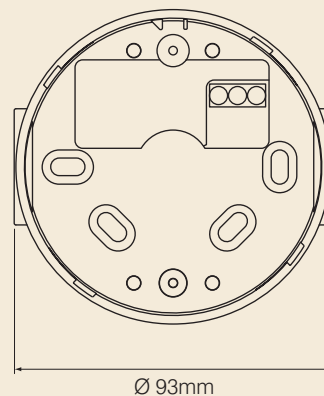


## Powered Base



The powered deep base incorporates a small 24Vdc supply that allows any of the compatible Cooper Fulleon sounders and beacons to be operated from 110 or 230Vac supplies. This allows the installer much greater flexibility in the use of products and their applications

- WIDE INPUT VOLTAGE RANGE
- UP TO 100mA OUTPUT
- SUITABLE FOR EXTERNAL USE
- COMPATIBLE WITH:
  - ROLP
  - ROLP SOLISTA
  - FLASHNI
  - SOLEX 3/10
  - SOLISTA MAXI

### Specification

Voltage	110 - 230Vac
Current	100mA (output)
Temperature	- 10°C to + 55°C
Protection	IP65
Construction	ABS
Weight	0.1Kg
Colours	Red or white