



Pressure switch, 3p, 25bar, relief valve


Part no. **MCSN22-V**
 Catalog No. **052933**
 Eaton Catalog No. **MCSN22-V**
 EL-Nummer **0004356118**
 (Norway)

Delivery program

| | | |
|--|-----|--|
| Note on use | | This product complies with Low-Voltage Directive 2014/35/EC and EMC Directive 2014/30/EC and meets the requirements in EN 60947-5-1. This product does not meet the rail industry's standard requirements. Accordingly, the user must review it separately for the specific application at hand. |
| Product range | | Pressure switches with main contacts |
| Degree of Protection | | IP65 |
| Number of poles | | 3 pole |
| Cut-in pressure and cut-out pressure: separate stepless adjustment. All the intersection points within the diagram area can be set. | | |
| | | |
| | | Min. switching differential: 3.0 bar Example: Cut-out pressure 17.5 bar Cut-in pressure 7.8 bar With relief valve For 6 mm Ermeto coupling |
| Max. operating pressure | bar | 25 |

Notes

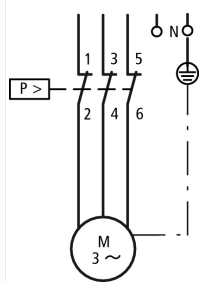
Features

- With terminal cover as standard
- 1 insulated protective conductor terminal 
- 1 insulated N terminal
- 2 cable entry knockouts for M20, without cable gland
- IP65 in conjunction with V-M20 cable gland
- Pressure pipe flange R ½"
- please enquire: Pressure pipe flange R ¼"
- Neoprene membrane

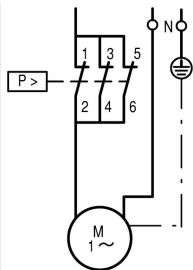
R ¼" corresponds to G ¼"
 R ½" corresponds to G ½" as per ISO 228-1

For use as a motor load switch as per IEC/EN 60947-4-1 for:

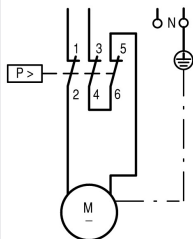
Three-phase current



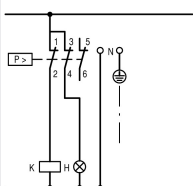
Single-phase current



Direct current DC-3



For use as control switch:



Cut-in and cut-out pressures are factory-preset as specified with type suffix → 203948

Notes

Fitted on right side with Ermeto self-sealing coupling for pipe diameter 6 mm, on request also available fitted on left side. Order code: **MCSN...-VG**

Technical data

General

| | | | |
|---|-----------------------------|-------------------|--|
| Standards | | | IEC/EN 60947-4-1 |
| Test pressure | | bar | 32 |
| Rupturing pressure | | bar | 90 |
| Operating frequency | Operations/h | | ≤ 1500 |
| Climatic proofing | | | Damp heat, constant, to IEC 60068-2-78 Damp heat, cyclic, to IEC 60068-2-30 |
| Ambient temperature | | | -25 - 70 |
| Degree of Protection | | | IP65 |
| Mounting position | | | As required |
| Mechanical shock resistance to IEC 60068-2-27 | Half-sinusoidal shock 20 ms | g | > 10 |
| Vibration resistance acc. to IEC/EN 60068-2-6 | Amplitude 1 mm | Hz | 36 |
| lifespan | Operations | x 10 ⁶ | 0.5 |
| Terminal capacities | | mm ² | |
| Solid | | mm ² | 1 x (0.75 - 2.5) 2 x (0.75 - 1.5) |
| Flexible with ferrules to DIN 46228 | | mm ² | 1 x (0.5 - 1.5) 2 x (0.5 - 1.5) |
| Terminations | | | Flat terminal with clamping washer |
| Terminal screw | | | M4 |
| Tightening torque of terminal screw | | Nm | 1.2 |

Contacts/switching capacity

| | | | |
|---------------------------------------|------------------|------|-------|
| Rated impulse withstand voltage | U _{imp} | V AC | 4000 |
| Rated insulation voltage | U _i | V | 400 |
| Overvoltage category/pollution degree | | | III/3 |

| | | | |
|--------------------------------------|------------------------|------|----------|
| Max. short-circuit protective device | | | |
| Fuseless | | Type | PKZM0-20 |
| Fuse | gG/gL | A | 20 |
| Type of coordination | | | |
| | | | 1 |
| Rated short-circuit current | | | |
| | I_q (= Current r) kA | | 1 |
| AC-3 | | | |
| Rated operational current | | | |
| 230 V | | A | 15 |
| 400 V | | A | 11.5 |
| Rated power P | | | |
| 230 V | | kW | 4 |
| 400 V | | kW | 5.5 |
| DC - 3 | | | |
| Rated operational current | | | |
| 24 V | | A | 16 |
| 110 V | | A | 12.5 |
| 250 V | | A | 2 |
| Rated frequency | | | |
| | f | Hz | 50 |

Design verification as per IEC/EN 61439

| | | | |
|--|--|----|-----|
| Technical data for design verification | | | |
| Operating ambient temperature min. | | °C | -25 |
| Operating ambient temperature max. | | °C | 70 |

Technical data ETIM 7.0

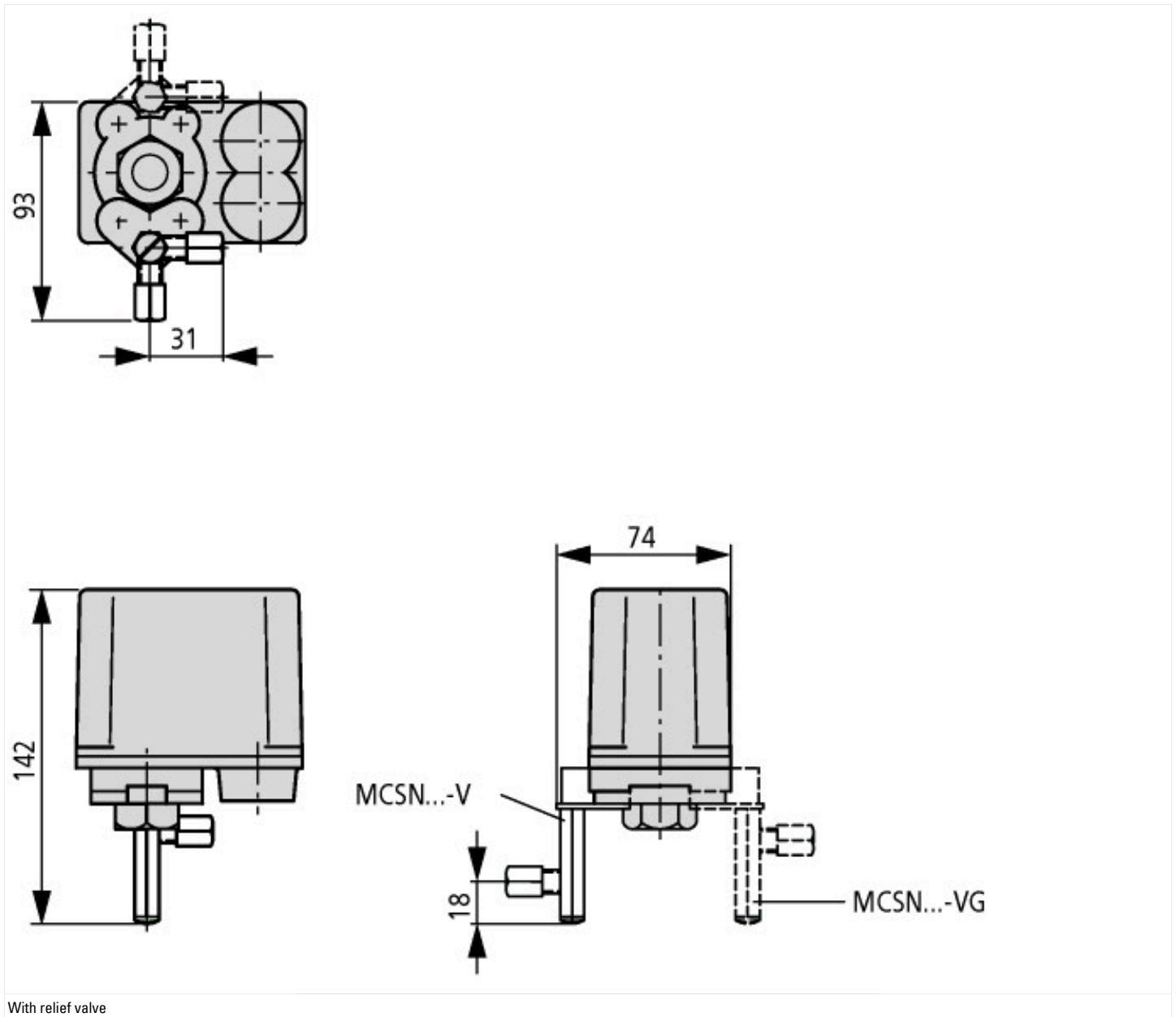
| | | | |
|---|--|-----|-------------------------------------|
| Low-voltage industrial components (EG000017) / Pressure switch (EC000243) | | | |
| Electric engineering, automation, process control engineering / Low-voltage switch technology / Monitoring equipment (low-voltage switch technology) / Pressure monitoring equipment (ecI@ss10.0.1-27-37-18-14 [AKF108014]) | | | |
| Suitable as guard | | | Yes |
| Suitable as 2-point controller | | | Yes |
| Suitable as limiter | | | No |
| Max. operation pressure | | hPa | 25000 |
| Engaging pressure | | bar | 0 - 18.5 |
| Initial setting | | hPa | 0 - 0 |
| Switch off pressure | | bar | 0 - 22 |
| End setting | | hPa | 0 - 0 |
| Pressure-switching differential | | bar | 0 |
| Max. test pressure | | bar | 32 |
| Bursting pressure | | bar | 90 |
| Medium temperature | | °C | 25 - 80 |
| Connection | | | Inner thread gas cylindrical (BSPP) |
| Thread size | | | 1/2 inch |
| Rated voltage U_e at AC 50 Hz | | V | 0 - 400 |
| Rated voltage U_e at AC 60 Hz | | V | 0 - 400 |
| Rated voltage U_e at DC | | V | 0 - 250 |
| Initial value measuring range pressure | | Pa | 0 |
| End value measuring range pressure | | Pa | 0 |
| Rated operation power at AC-3, 400 V | | kW | 5.5 |
| Switching capacity at AC-3, 240 V | | kA | 0 |
| Rated operation current I_e at AC-1, 400 V | | A | 0 |
| Rated operation current I_e at AC-3, 400 V | | A | 11.5 |
| Number of auxiliary contacts as normally open contact | | | 0 |
| Number of auxiliary contacts as normally closed contact | | | 0 |
| Number of auxiliary contacts as change-over contact | | | 0 |
| Type of electric connection | | | Screw connection |

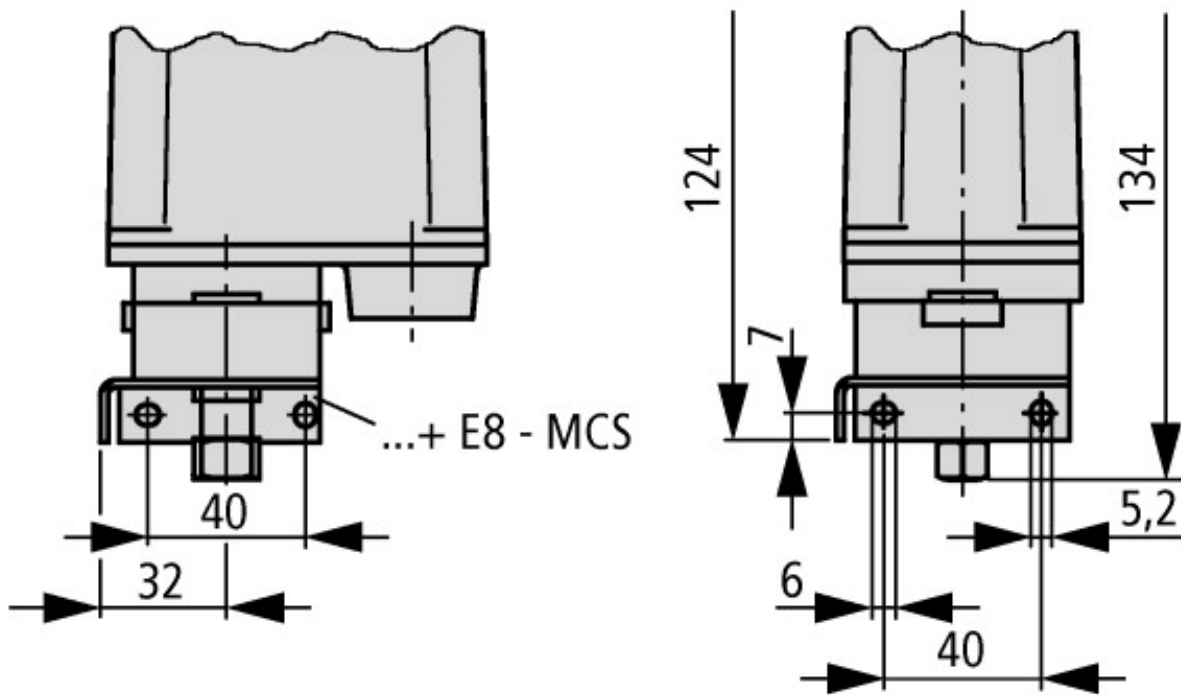
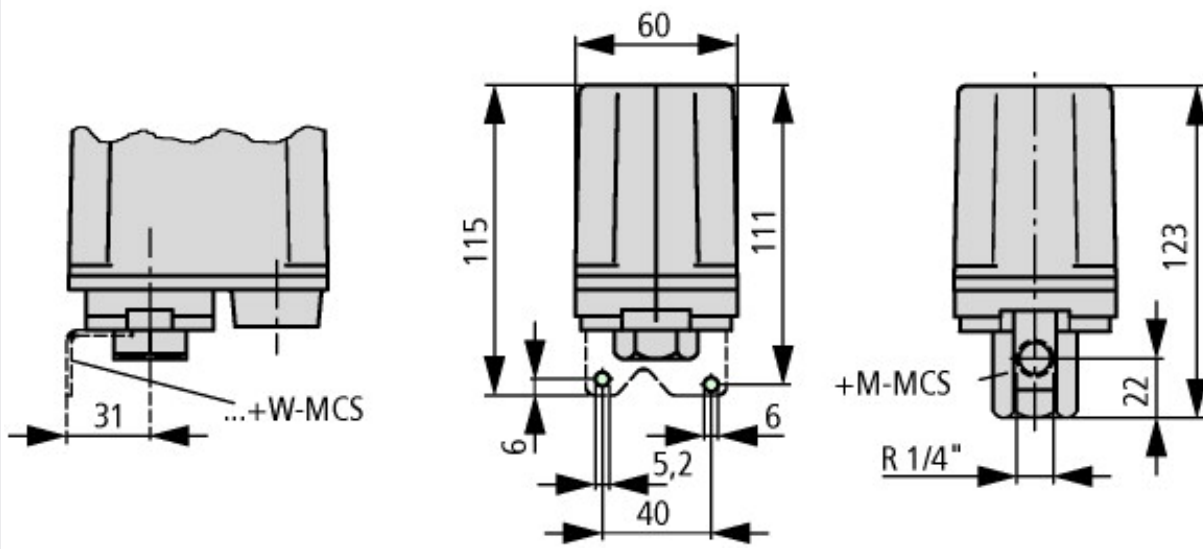
| | | |
|--|----|-------|
| Number of normally closed contacts as main contact | | 3 |
| Number of main contacts as normally open contact | | 0 |
| Adjustable current range | A | 0 - 0 |
| With hand operation | | No |
| With manual on/off switch | | No |
| Electronic version | | No |
| With display | | No |
| Explosion-proof | | No |
| Degree of protection (IP) | | IP65 |
| Degree of protection (NEMA) | | Other |
| Height | mm | 111 |
| Width | mm | 93 |
| Diameter | mm | 0 |
| Depth | mm | 96 |

Approvals

| | | |
|-----------------------------|--|-------------------|
| Product Standards | | CSA-CC22.2 No. 14 |
| CSA File No. | | 12528 |
| CSA Class No. | | 3211-06 |
| North America Certification | | CSA certified |

Dimensions





Additional product information (links)

IL05212001Z (AWA1320-0132) Pressure switch

IL05212001Z (AWA1320-0132) Pressure switch ftp://ftp.moeller.net/DOCUMENTATION/AWA_INSTRUCTIONS/IL05212001Z2018_05.pdf