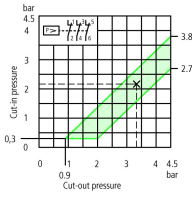




Pressure switch, 3p, 7bar

Part no. **MCSN4**  
 Catalog No. **057679**  
 Eaton Catalog No. **MCSN4**  
 EL-Nummer **0004356111**  
 (Norway)


**Delivery program**

|  |     |  |
|--|-----|--|
| Note on use  |     | This product complies with Low-Voltage Directive 2014/35/EC and EMC Directive 2014/30/EC and meets the requirements in EN 60947-5-1. This product does not meet the rail industry's standard requirements. Accordingly, the user must review it separately for the specific application at hand. |
| Product range  |     | Pressure switches with main contacts   |
| Degree of Protection   |     | IP65   |
| Number of poles  |     | 3 pole   |
| <b>Cut-in pressure and cut-out pressure: separate stepless adjustment. All the intersection points within the diagram area can be set.</b> |     |  |
|  |     |    |
|  |     | Min. switching differential: 0.6 bar<br><br>Example:<br>Cut-out pressure 3.3 bar<br>Cut-in pressure 2.2 bar<br><br>Variable switching differential   |
| Max. operating pressure  | bar | 7  |

**Notes**

**Features**

:

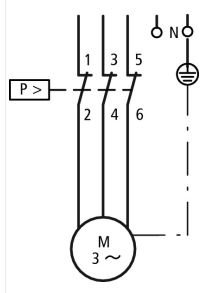
- With terminal cover as standard
- 1 insulated protective conductor terminal 
- 1 insulated N terminal
- 2 cable entry knockouts for M20, without cable gland
- IP65 in conjunction with V-M20 cable gland
- Pressure pipe flange R ½"
- please enquire: Pressure pipe flange R ¼"
- Neoprene membrane

R ¼" corresponds to G ¼"

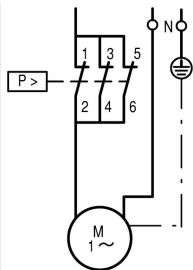
R ½" corresponds to G ½" as per ISO 228-1

For use as a motor load switch as per IEC/EN 60947-4-1 for:

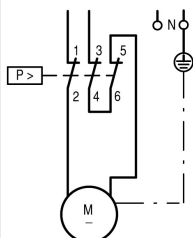
**Three-phase current**



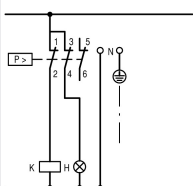
**Single-phase current**



### Direct current DC-3



### For use as control switch:



Cut-in and cut-out pressures are factory-preset as specified with type suffix → 203948

## Technical data

### General

|   |                             |                   |  |
|---|-----------------------------|-------------------|--|
| Standards                                     |                             |                   | IEC/EN 60947-4-1   |
| Test pressure                                 |                             | bar               | 32   |
| Rupturing pressure                            |                             | bar               | 90   |
| Operating frequency                           | Operations/h                |                   | ≤ 1500   |
| Climatic proofing                             |                             |                   | Damp heat, constant, to IEC 60068-2-78<br>Damp heat, cyclic, to IEC 60068-2-30 |
| Ambient temperature                           |                             |                   | -25 - 70   |
| Degree of Protection                          |                             |                   | IP65   |
| Mounting position                             |                             |                   | As required  |
| Mechanical shock resistance to IEC 60068-2-27 | Half-sinusoidal shock 20 ms | g                 | > 10   |
| Vibration resistance acc. to IEC/EN 60068-2-6 | Amplitude 1 mm              | Hz                | 36   |
| lifespan                                      | Operations                  | x 10 <sup>6</sup> | 0.5  |
| Terminal capacities                           |                             | mm <sup>2</sup>   |  |
| Solid   |                             | mm <sup>2</sup>   | 1 x (0.75 - 2.5)<br>2 x (0.75 - 1.5)   |
| Flexible with ferrules to DIN 46228           |                             | mm <sup>2</sup>   | 1 x (0.5 - 1.5)<br>2 x (0.5 - 1.5)   |
| Terminations                                  |                             |                   | Flat terminal with clamping washer   |
| Terminal screw                                |                             |                   | M4   |
| Tightening torque of terminal screw           |                             | Nm                | 1.2  |

### Contacts/switching capacity

|                                       |                  |      |          |
|---------------------------------------|------------------|------|----------|
| Rated impulse withstand voltage       | U <sub>imp</sub> | V AC | 4000     |
| Rated insulation voltage              | U <sub>i</sub>   | V    | 400      |
| Overvoltage category/pollution degree |                  |      | III/3    |
| Max. short-circuit protective device  |                  |      |          |
| Fuseless                              |                  | Type | PKZM0-20 |

|                             |                             |    |      |
|-----------------------------|-----------------------------|----|------|
| Fuse                        | gG/gL                       | A  | 20   |
| Type of coordination        |                             |    | 1    |
| Rated short-circuit current | $I_q (= \text{Current } r)$ | kA | 1    |
| AC-3                        |                             |    |      |
| Rated operational current   |                             |    |      |
| 230 V                       |                             | A  | 15   |
| 400 V                       |                             | A  | 11.5 |
| Rated power P               |                             |    |      |
| 230 V                       |                             | kW | 4    |
| 400 V                       |                             | kW | 5.5  |
| DC - 3                      |                             |    |      |
| Rated operational current   |                             |    |      |
| 24 V                        |                             | A  | 16   |
| 110 V                       |                             | A  | 12.5 |
| 250 V                       |                             | A  | 2    |
| Rated frequency             | f                           | Hz | 50   |

## Design verification as per IEC/EN 61439

|  |  |    |     |
|--|--|----|-----|
| Technical data for design verification |  |    |     |
| Operating ambient temperature min.     |  | °C | -25 |
| Operating ambient temperature max.     |  | °C | 70  |

## Technical data ETIM 7.0

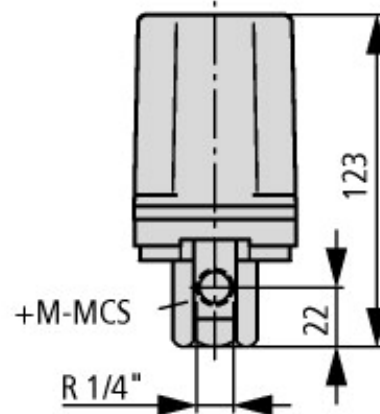
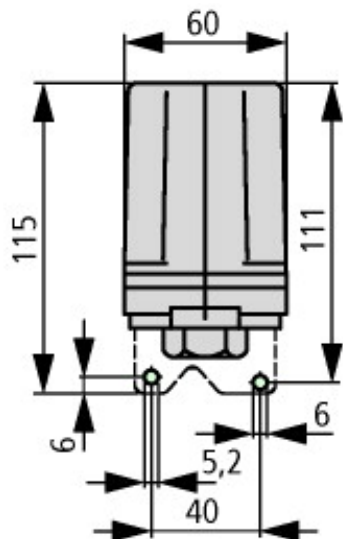
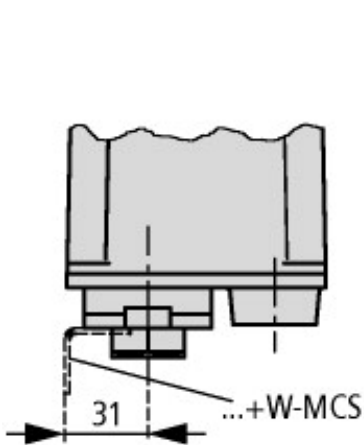
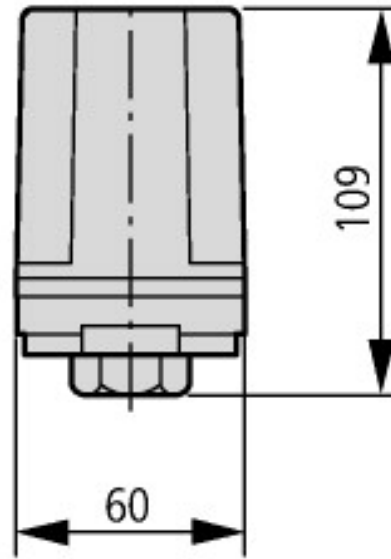
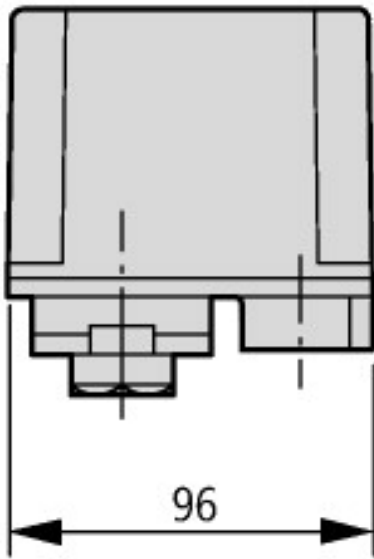
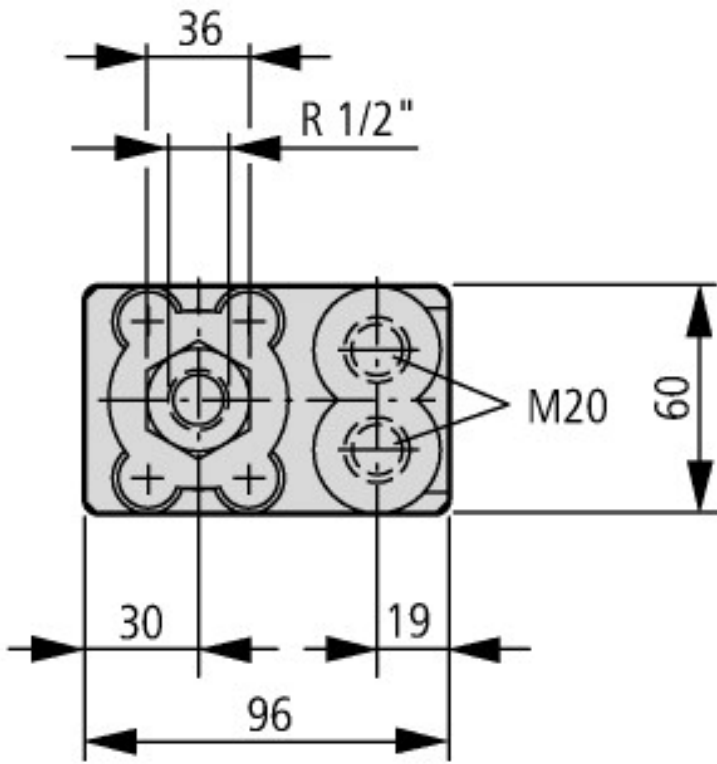
|   |  |     |                                     |
|---|--|-----|-------------------------------------|
| Low-voltage industrial components (EG000017) / Pressure switch (EC000243)   |  |     |                                     |
| Electric engineering, automation, process control engineering / Low-voltage switch technology / Monitoring equipment (low-voltage switch technology) / Pressure monitoring equipment (ecl@ss10.0.1-27-37-18-14 [AKF108014]) |  |     |                                     |
| Suitable as guard   |  |     | Yes                                 |
| Suitable as 2-point controller  |  |     | Yes                                 |
| Suitable as limiter   |  |     | No                                  |
| Max. operation pressure   |  | hPa | 7000                                |
| Engaging pressure   |  | bar | 0 - 3.8                             |
| Initial setting   |  | hPa | 0 - 0                               |
| Switch off pressure   |  | bar | 0 - 4.5                             |
| End setting   |  | hPa | 0 - 0                               |
| Pressure-switching differential   |  | bar | 0                                   |
| Max. test pressure  |  | bar | 32                                  |
| Bursting pressure   |  | bar | 90                                  |
| Medium temperature  |  | °C  | 25 - 80                             |
| Connection  |  |     | Inner thread gas cylindrical (BSPP) |
| Thread size   |  |     | 1/2 inch                            |
| Rated voltage $U_e$ at AC 50 Hz   |  | V   | 0 - 400                             |
| Rated voltage $U_e$ at AC 60 Hz   |  | V   | 0 - 400                             |
| Rated voltage $U_e$ at DC   |  | V   | 0 - 250                             |
| Initial value measuring range pressure  |  | Pa  | 0                                   |
| End value measuring range pressure  |  | Pa  | 0                                   |
| Rated operation power at AC-3, 400 V  |  | kW  | 5.5                                 |
| Switching capacity at AC-3, 240 V   |  | kA  | 0                                   |
| Rated operation current $I_e$ at AC-1, 400 V  |  | A   | 0                                   |
| Rated operation current $I_e$ at AC-3, 400 V  |  | A   | 11.5                                |
| Number of auxiliary contacts as normally open contact   |  |     | 0                                   |
| Number of auxiliary contacts as normally closed contact   |  |     | 0                                   |
| Number of auxiliary contacts as change-over contact   |  |     | 0                                   |
| Type of electric connection   |  |     | Screw connection                    |
| Number of normally closed contacts as main contact  |  |     | 3                                   |
| Number of main contacts as normally open contact  |  |     | 0                                   |

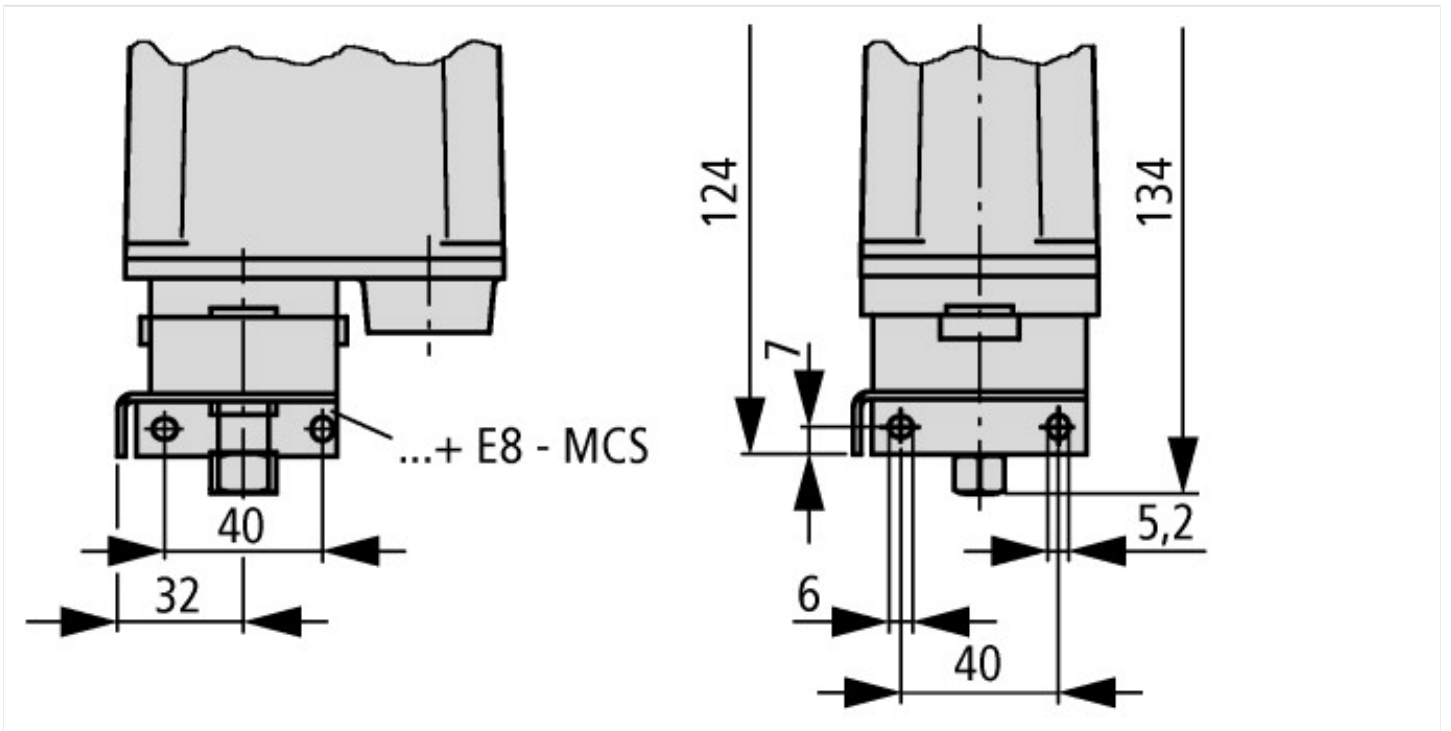
|                             |    |       |
|-----------------------------|----|-------|
| Adjustable current range    | A  | 0 - 0 |
| With hand operation         |    | No    |
| With manual on/off switch   |    | No    |
| Electronic version          |    | No    |
| With display                |    | No    |
| Explosion-proof             |    | No    |
| Degree of protection (IP)   |    | IP65  |
| Degree of protection (NEMA) |    | Other |
| Height                      | mm | 110   |
| Width                       | mm | 60    |
| Diameter                    | mm | 0     |
| Depth                       | mm | 96    |

## Approvals

|                             |  |                   |
|-----------------------------|--|-------------------|
| Product Standards           |  | CSA-CC22.2 No. 14 |
| CSA File No.                |  | 12528             |
| CSA Class No.               |  | 3211-06           |
| North America Certification |  | CSA certified     |

## Dimensions





### Additional product information (links)

IL05212001Z (AWA1320-0132) Pressure switch

IL05212001Z (AWA1320-0132) Pressure switch [ftp://ftp.moeller.net/DOCUMENTATION/AWA\\_INSTRUCTIONS/IL05212001Z2018\\_05.pdf](ftp://ftp.moeller.net/DOCUMENTATION/AWA_INSTRUCTIONS/IL05212001Z2018_05.pdf)