

SERIES 13000

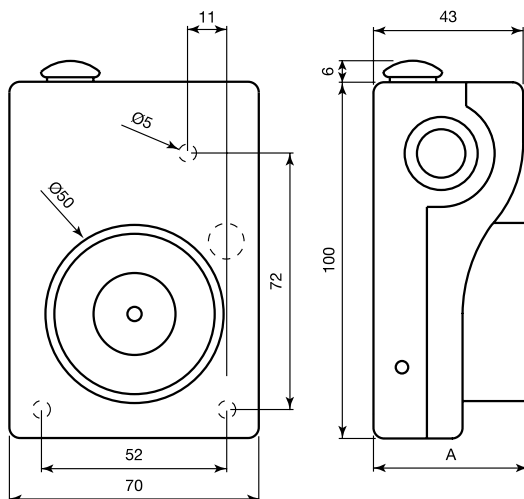
Electromagnetic door release unit in plastic case

- Floor and wall mounting (with accessory)
- Fine design
- Holding strength from 25 to 50 kg
- Low current consumption
- Release button and protection circuit
- Provided with damping keeper plate

Electromagnetic door release unit designed to hold open fire or smoke stop doors, for convenience and then release automatically them in response to an emergency. A stylish, strong, plastic-case door magnet for wall mounted applications. The two part case has a simple, secure, clip together assembly and is available in either black or white finishes. An integrated spring extractor allows to overcome any residual magnetism, ensuring a fast and reliable door release. All units include a manual release button, that can be easily individuated thanks to its red color. Diode protection circuit. Three side housings for 16 or 20 mm hose and a rear access for a max 10 mm diameter cable are available for connection. Versions available with door status control that shows whether the door is open (NC contact) or closed through a powered electromagnet. Flexible door mounted keeper plate included. This unit may also be floor mounted using an additional mounting bracket, available separately

GENERAL SPECIFICATIONS

Housing material	Thermoplastic black or white (gray upon request)
Core material	Steel
Keeper plate material	Thermoplastic support, steel plate
Operation	Release with no power supply
Connection type	Terminals
Operating temperature	-10°C to +55°C
Standard equipment	Flexible keeper plate, release button, diode protection circuit
Packaging	1 pcs./package



ORDER CODES

Code	Holding strength ± 15%	Rated voltage	Rated current	Door status	Height A	Color	IP degree	Package weight	Notes
13025	25 kg/245 N	24V DC	20 mA	no	38,5 mm	black	IP 40	0,51 kg	
13025 SP	25 kg/245 N	24V DC	20 mA	yes	38,5 mm	black	IP 40	0,51 kg	
13025 SO	25 kg/245 N	24V DC	20 mA	no	38,5 mm	black	IP 42	0,51 kg	Core IP 52
13025 B	25 kg/245 N	24V DC	20 mA	no	38,5 mm	white	IP 40	0,51 kg	
13025 BSO	25 kg/245 N	24V DC	20 mA	no	38,5 mm	white	IP 42	0,51 kg	Core IP 52
13025-240 SO	25 kg/245 N	240V AC	5 mA	no	38,5 mm	black	IP 42	0,51 kg	Core IP 52
13025-240 BSO	25 kg/245 N	240V AC	5 mA	no	38,5 mm	white	IP 42	0,51 kg	Core IP 52
13045-240 SO	45 kg/440 N	240V AC	7 mA	no	45 mm	black	IP 42	0,56 kg	Core IP 52
13045-240 BSO	45 kg/440 N	240V AC	7 mA	no	45 mm	white	IP 42	0,56 kg	Core IP 52
13050	50 kg/490 N	24V DC	40 mA	no	45 mm	black	IP 40	0,56 kg	
13050 SP	50 kg/490 N	24V DC	40 mA	yes	45 mm	black	IP 40	0,56 kg	
13050 SO	50 kg/490 N	24V DC	40 mA	no	45 mm	black	IP 42	0,56 kg	Core IP 52
13050 B	50 kg/490 N	24V DC	40 mA	no	45 mm	white	IP 40	0,56 kg	
13050 BSO	50 kg/490 N	24V DC	40 mA	no	45 mm	white	IP 42	0,56 kg	Core IP 52

Upon request :
 - 48V DC versions (current 20 mA for 25 kg and 40 mA for 50 kg)
 - RAL 2402 gray versions

ACCESSORIES AVAILABLE (see accessories page)

Code	Description
1353	Fix keeper plate, diameter 55 mm
13ST15	Floor/wall-mounting bracket 150 mm
13ST25	Floor/wall-mounting bracket 250 mm