

**Actuating rod, metal, +plastic rod**

**Part no.** LSM-XRR  
**Catalog No.** 266161  
**Eaton Catalog No.** LSM-XRR  
**EL-Nummer (Norway)** 0004356162



**Delivery program**

|                                                                                                               |  |                         |
|---------------------------------------------------------------------------------------------------------------|--|-------------------------|
| Basic function                                                                                                |  | Operating heads         |
| Part group reference                                                                                          |  | LS(M)-...               |
| Product range                                                                                                 |  | Actuating rod           |
| Material                                                                                                      |  | Bar: Insulated material |
| For use with                                                                                                  |  | Basic devices LS(M)...  |
| <b>Notes</b> The operating head can be rotated at 90° intervals to adapt to the specified approach direction. |  |                         |

**Design verification as per IEC/EN 61439**

| Technical data for design verification                                                                                 |            |    |                                                                    |
|------------------------------------------------------------------------------------------------------------------------|------------|----|--------------------------------------------------------------------|
| Rated operational current for specified heat dissipation                                                               | $I_n$      | A  | 0                                                                  |
| Heat dissipation per pole, current-dependent                                                                           | $P_{vid}$  | W  | 0                                                                  |
| Equipment heat dissipation, current-dependent                                                                          | $P_{vid}$  | W  | 0                                                                  |
| Static heat dissipation, non-current-dependent                                                                         | $P_{vs}$   | W  | 0                                                                  |
| Heat dissipation capacity                                                                                              | $P_{diss}$ | W  | 0                                                                  |
| Operating ambient temperature min.                                                                                     |            | °C | -25                                                                |
| Operating ambient temperature max.                                                                                     |            | °C | 70                                                                 |
| IEC/EN 61439 design verification                                                                                       |            |    |                                                                    |
| 10.2 Strength of materials and parts                                                                                   |            |    |                                                                    |
| 10.2.2 Corrosion resistance                                                                                            |            |    | Meets the product standard's requirements.                         |
| 10.2.3.1 Verification of thermal stability of enclosures                                                               |            |    | Meets the product standard's requirements.                         |
| 10.2.3.2 Verification of resistance of insulating materials to normal heat                                             |            |    | Meets the product standard's requirements.                         |
| 10.2.3.3 Verification of resistance of insulating materials to abnormal heat and fire due to internal electric effects |            |    | Meets the product standard's requirements.                         |
| 10.2.4 Resistance to ultra-violet (UV) radiation                                                                       |            |    | Please enquire                                                     |
| 10.2.5 Lifting                                                                                                         |            |    | Does not apply, since the entire switchgear needs to be evaluated. |
| 10.2.6 Mechanical impact                                                                                               |            |    | Does not apply, since the entire switchgear needs to be evaluated. |
| 10.2.7 Inscriptions                                                                                                    |            |    | Meets the product standard's requirements.                         |
| 10.3 Degree of protection of ASSEMBLIES                                                                                |            |    | Does not apply, since the entire switchgear needs to be evaluated. |
| 10.4 Clearances and creepage distances                                                                                 |            |    | Meets the product standard's requirements.                         |
| 10.5 Protection against electric shock                                                                                 |            |    | Does not apply, since the entire switchgear needs to be evaluated. |
| 10.6 Incorporation of switching devices and components                                                                 |            |    | Does not apply, since the entire switchgear needs to be evaluated. |
| 10.7 Internal electrical circuits and connections                                                                      |            |    | Is the panel builder's responsibility.                             |
| 10.8 Connections for external conductors                                                                               |            |    | Is the panel builder's responsibility.                             |
| 10.9 Insulation properties                                                                                             |            |    |                                                                    |

|                                                          |  |  |                                                                                                          |
|----------------------------------------------------------|--|--|----------------------------------------------------------------------------------------------------------|
| 10.9.2 Power-frequency electric strength                 |  |  | Is the panel builder's responsibility.                                                                   |
| 10.9.3 Impulse withstand voltage                         |  |  | Is the panel builder's responsibility.                                                                   |
| 10.9.4 Testing of enclosures made of insulating material |  |  | Is the panel builder's responsibility.                                                                   |
| 10.10 Temperature rise                                   |  |  | Not applicable.                                                                                          |
| 10.11 Short-circuit rating                               |  |  | Is the panel builder's responsibility. The specifications for the switchgear must be observed.           |
| 10.12 Electromagnetic compatibility                      |  |  | Is the panel builder's responsibility. The specifications for the switchgear must be observed.           |
| 10.13 Mechanical function                                |  |  | The device meets the requirements, provided the information in the instruction leaflet (IL) is observed. |

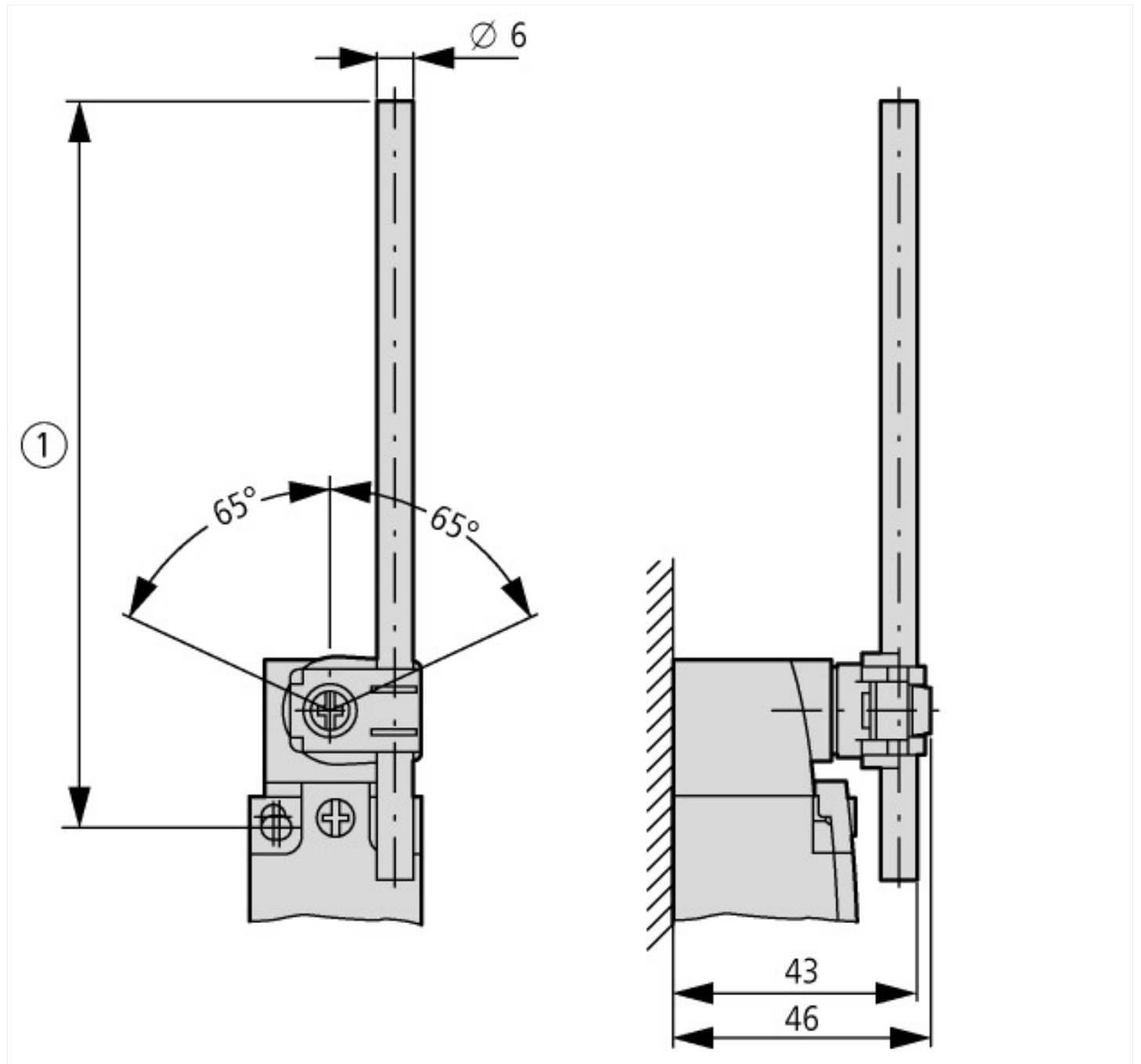
## Technical data ETIM 7.0

|                                                                                                                                                                                                                        |  |  |               |
|------------------------------------------------------------------------------------------------------------------------------------------------------------------------------------------------------------------------|--|--|---------------|
| Sensors (EG000026) / Drive head for position switches/hinge switches (EC001483)                                                                                                                                        |  |  |               |
| Electric engineering, automation, process control engineering / Binary sensor technology, safety-related sensor technology / Position switch / Drive head for position switches (ec1@ss10.0.1-27-27-06-04 [BAA083012]) |  |  |               |
| Type of control element                                                                                                                                                                                                |  |  | Actuating rod |

## Approvals

|                             |  |  |                                                      |
|-----------------------------|--|--|------------------------------------------------------|
| Product Standards           |  |  | IEC/EN 60947-5; UL 508; CSA-C22.2 No. 14; CE marking |
| UL File No.                 |  |  | E29184                                               |
| UL Category Control No.     |  |  | NKCR                                                 |
| CSA File No.                |  |  | 12528                                                |
| CSA Class No.               |  |  | 3211-03                                              |
| North America Certification |  |  | UL listed, CSA certified                             |

## Dimensions



## Additional product information (links)

**IL053001ZU LS-Titan position switch: basic device**

IL053001ZU LS-Titan position switch: basic device

[ftp://ftp.moeller.net/DOCUMENTATION/AWA\\_INSTRUCTIONS/IL053001ZU2018\\_06.pdf](ftp://ftp.moeller.net/DOCUMENTATION/AWA_INSTRUCTIONS/IL053001ZU2018_06.pdf)